

- 451 Series are anodized aluminum manifolds that are used with 411 Series and RB Series general service valves.
- 451 Series manifolds can be ordered separately or as complete valve/manifold assembly
- Significantly reduces potential leak points by eliminating the need for multiple connections
- Standard manifolds feature 1/8" NPT common ports and discrete #10-32 ports that accommodate plastic or metal fittings



Construction	
Manifold	Anodized Aluminum
Discrete Manifold Ports	10-32 UNF Female
Common Manifold Port	1/8" NPTF Female

Manifold Assemblies & Manifold Only Part Numbering		
Number of Stations	Manifold Only	Valve Assembled to Manifold ¹
1	51140001-01	Base Valve Number + A01
2	51140002-01	Base Valve Number + A02
4	51140003-01	Base Valve Number + A04
6	51140003-02	Base Valve Number + A06
8	51140003-03	Base Valve Number + A08
10	51140003-04	Base Valve Number + A10
12	51140003-05	Base Valve Number + A12

¹ Manifold assemblies can only be ordered with 411, RB, and S Series manifold mount constructions

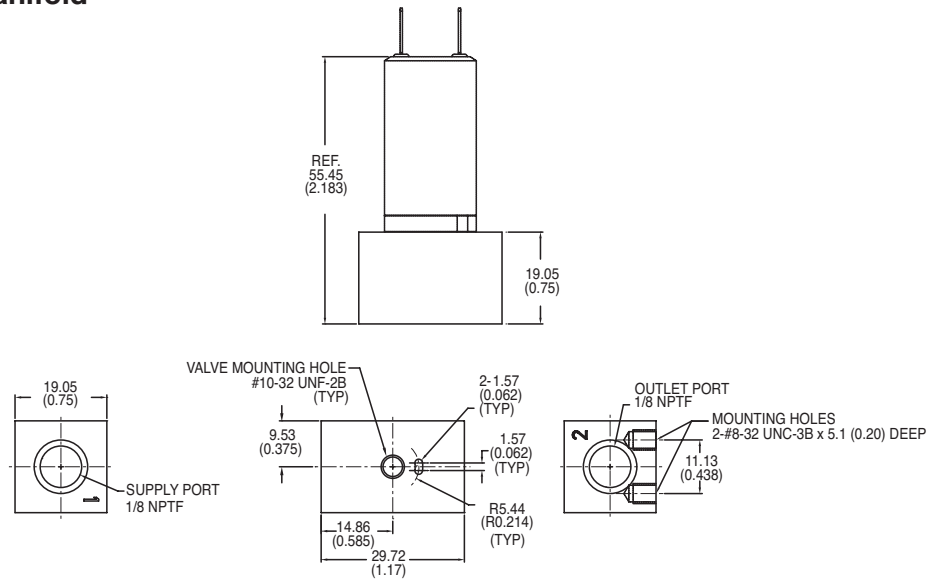
Ordering Examples:

411M1105FVA08 = 8 411 Series catalog valves 411M1105FV mounted on 8 station manifold
 RLM201230VA02 = 2 RB Series catalog valves RLM201230V mounted on 2 station manifold
 51140003-05 = 12 station manifold (no valves)

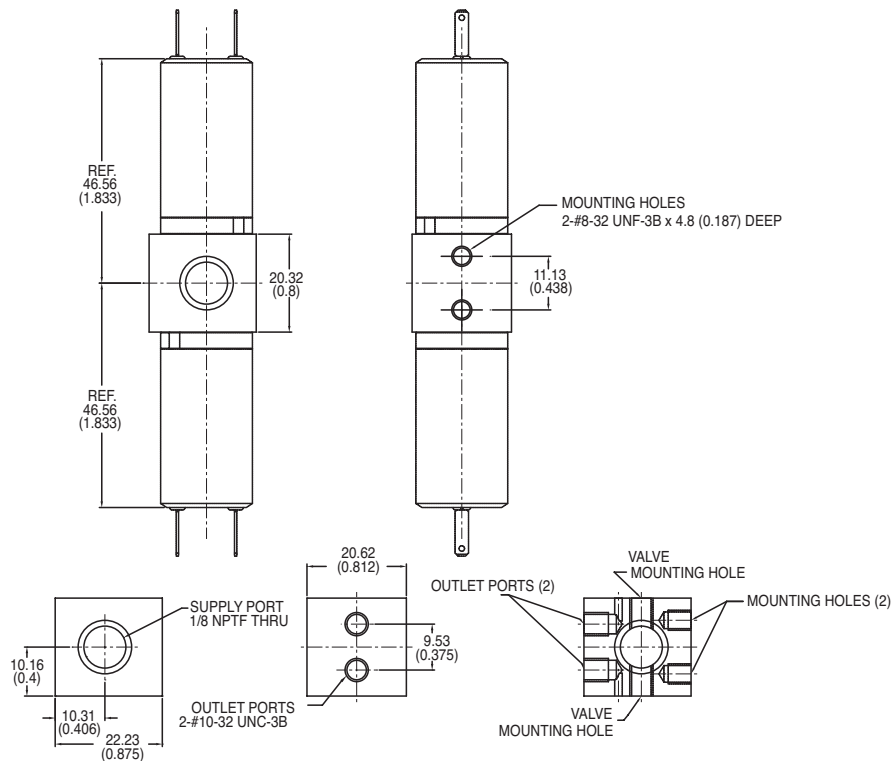
Dimensions: mm (inches)

Dimensional Drawings

Single Station Manifold



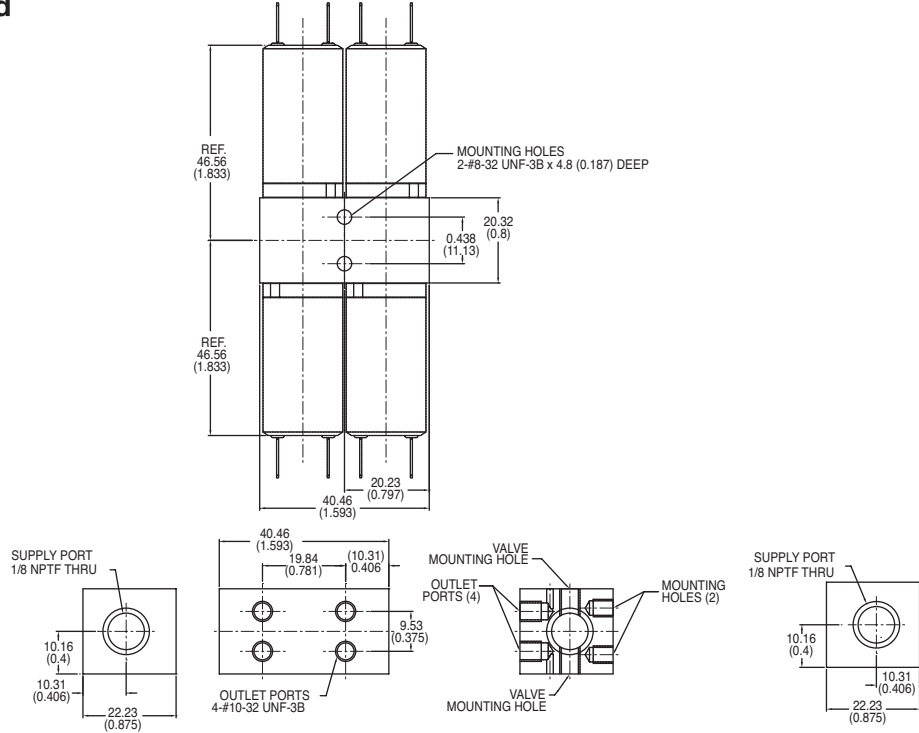
2 Station Manifold



Dimensions: mm (inches)

Dimensional Drawings

4 Station Manifold



6, 8, 10, 12 Station Manifolds

Number of Stations	DIM "A"	DIM "B"
6	21.46 (0.845)	60.35 (2.375)
8	41.28 (1.625)	80.16 (3.156)
10	61.11 (2.406)	99.99 (3.937)
12	80.95 (3.187)	119.84 (4.718)

