

Features

- 2-way normally closed operation
- For gas pilot control of commercial and industrial gas burners
- Direct lift with resilient soft seating for tight shutoff
- Brass body construction
- Mountable in any position

Fluid

Fuel Gas

Construction

| Valve Parts in Contact with Fluids | |
|------------------------------------|----------------------|
| Body | Brass |
| Seals and Disc | LT NBR |
| Core Tube | 305 Stainless Steel |
| Core Guide | Acetal |
| Rider Ring | PTFE |
| Core and Plugnut | 430F Stainless Steel |
| Springs | Inconel 600 |
| Shading Coil | Copper |

Electrical

| Standard Coil and Class of Insulation | Watt Rating and Power Consumption | | | Ambient Temp. °F | Spare Coil Family | |
|---------------------------------------|-----------------------------------|------------|-----------|------------------|-------------------|----------------|
| | AC | | | | General Purpose | Explosionproof |
| | Watts | VA Holding | VA Inrush | | AC | AC |
| F | 10.1 | 25 | 70 | -40 to 131 | 238610 | 238614 |
| H | 10.1 | 25 | 70 | -40 to 140 | 238810 | 238814 |

Standard Voltages: 24, 120, 240 volts AC, 60 Hz (or 110, 220 volts AC, 50 Hz).
Optional High Ambient Temp: 140°F Class H coil with prefix HT.

Solenoid Enclosures

Standard: Watertight; Types 1, 2, 3, 3S, 4, and 4X with 1/2" conduit hub.

Optional: RedHat II - Explosionproof and Watertight, Types 3, 3S, 4, 4X, 6, 6P, 7, and 9; RedHat - Explosionproof and Raintight, Types 3, 7, and 9. (To order, add prefix "EF" to catalog number.)

Valve Response Time

Opening Time: Less than 1 second

Closing Time: Less than 1 second

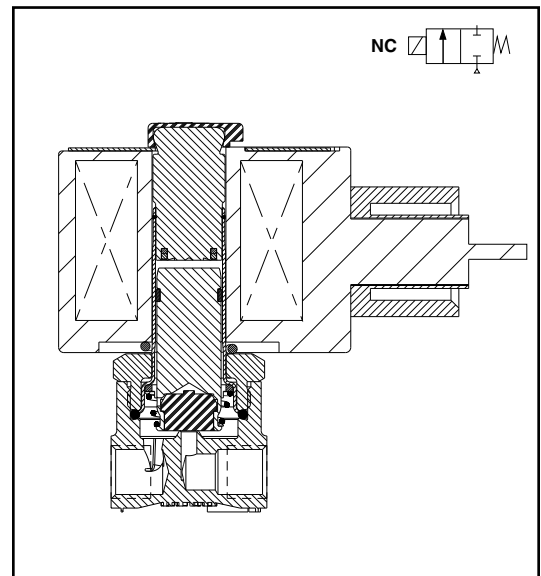
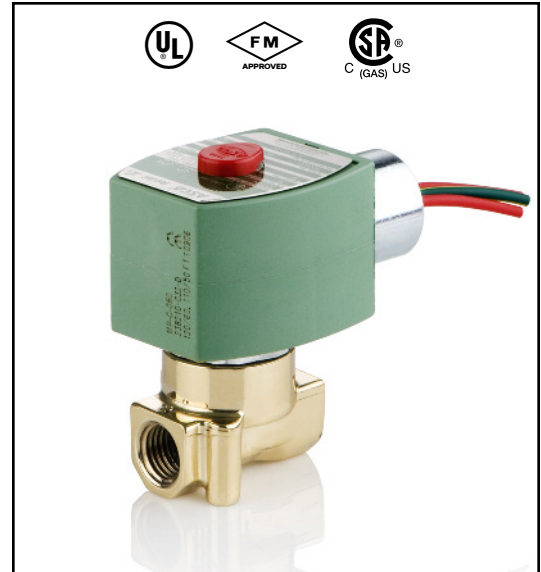
Options

High Ambient 140°F (prefix HT)

Din Connector (prefix SC for standard, prefix SU for high temperature)

Mounting Bracket (suffix MB)

Silicone Free Service (suffix SF)



Approvals

UL listed to standard 429 "Electrically Operated Valves," Guide Y10Z, File MP618 Safety Shutoff Valves.

FM Approved to Class 7400 "Liquid and Gas Safety Shutoff Valves."

CSA Certified to:

- 1) Standard C22.2 No. 139 "Electrically Operated Valves," File 010381.
- 2) Automatic Gas Valves Z21.21 (6.5), File 112872.
- 3) Automatic Gas Safety Shutoff Valves C/I (3.9), File 112872.

Specifications (English units)

| Pipe Size (in) | Orifice Size (in) | Cv Flow Factor | Gas Capacity ① Btu/hr. | Operating Pressure Differential (psi) | | Max. Fluid Temp. °F | Catalog Number | Const. Ref. | Agency | | | Wattage | Approx. Shipping Weight (lbs) |
|---|-------------------|----------------|---------------------------|---------------------------------------|------|---------------------|----------------|-------------|--------|----|-----|---------|-------------------------------|
| | | | | Min. | Max. | | | | UL | FM | CSA | | |
| COMBUSTION (Fuel Gas) - NORMALLY CLOSED (Closed when de-energized) | | | | | | | | | | | | | |
| 1/8 | 1/8 | .35 | 18,700 | 0 | 200 | 167 | 8262H077 | 1 | ○ | ○ | ○ | 10.1 | 1.2 |
| 1/4 | 9/32 | 1.0 | 53,500 | 0 | 50 | 167 | 8262H078 | 2 | ○ | ○ | ○ | 10.1 | 1.3 |

○ = Safety Shutoff Valve. ① 1" W.C. Drop @ 2" W.C. Inlet Pressure, 1,000 Btu/cu.ft. or more, 0.64 Specific Gravity Gas.

Specifications (Metric units)

| Pipe Size (in) | Orifice Size (mm) | Kv Flow (m³/hr) | Gas Capacity ① Btu/hr. | Operating Pressure Differential (bar) | | Max. Fluid Temp. °C | Catalog Number | Const. Ref. | Agency | | | Wattage | Approx. Shipping Weight (kgs) |
|---|-------------------|-----------------|---------------------------|---------------------------------------|------|---------------------|----------------|-------------|--------|----|-----|---------|-------------------------------|
| | | | | Min. | Max. | | | | UL | FM | CSA | | |
| COMBUSTION (Fuel Gas) - NORMALLY CLOSED (Closed when de-energized) | | | | | | | | | | | | | |
| 1/8 | 3 | 0.30 | 15,000 | 0 | 13.8 | 75 | 8262H077 | 1 | ○ | ○ | ○ | 10.1 | 0.5 |
| 1/4 | 7 | 0.87 | 51,700 | 0 | 3.4 | 75 | 8262H078 | 2 | ○ | ○ | ○ | 10.1 | 0.6 |

○ = Safety Shutoff Valve. ① 1" W.C. Drop @ 2" W.C. Inlet Pressure, 1,000 Btu/cu.ft. or more, 0.64 Specific Gravity Gas.

Capabilities Chart

| Solenoid Options | | | | Base Catalog Number | Resilient Materials | Standard Rebuild Kit |
|------------------|------------|---------------------------|------------------|---------------------|---------------------|----------------------|
| NEMA Type 3-9 | High Temp. | Screw Terminal Wiring Box | Spade Wiring Box | Brass | LT NBR | AC |
| EF | HT | JKF | JSF | 8262H077 | ● | 325039 |
| EF | HT | JKF | JSF | 8262H078 | ● | 325039 |

● = Standard. Other options may be available. All option combinations may not be available.

Dimensions inches (mm)

| Const. Ref. | | H | K | L | P | W |
|-------------|-----|------|------|------|------|------|
| 1 | ins | 3.05 | 1.71 | 1.19 | 2.69 | 1.95 |
| | mm | 77 | 43 | 30 | 68 | 50 |
| 2 | ins | 3.12 | 1.79 | 1.56 | 2.76 | 1.95 |
| | mm | 79 | 45 | 40 | 70 | 50 |

Const. Ref. 1, 2

ANPT PIPE THREAD (2 PLACES)

Const. Ref. 1

*ACCEPTS STANDARD #10-32 MACHINE SCREW

Const. Ref. 2

COMBUSTION