

FEATURES

- The Booster valves have a balanced piston construction providing very high flow
- IEC 61508 Functional Safety figures are available; SIL 3 capable
- Suitable for on-off and control e.g. for Partial Stroke Testing (PST)
- Very large ambient temperature range capability
- Low friction construction providing lowest sticking risk and highest life time
- Controllable by-pass screw for optimum controllability; control ratio 1:1
- Optional modular inlet and/or exhaust filters available
- Direct NAMUR mount of solenoid pilot valve
- Available in both anodised aluminium and 316L stainless steel
- For additional safety a protective cap option is available to prevent unauthorised adjustment of the dampening screw
- ATEX and CUTR certified; IP66/67
- Integrated mounting holes
- Can be integrated in modular ASCO Actuator Control System (ACS)
- NACE compliant for the environment (stainless steel execution)



GENERAL

Differential pressure 0 - 10 bar [1 bar = 100kPa]
Maximum viscosity 65cST (mm²/s)
Response times 75 - 100 ms

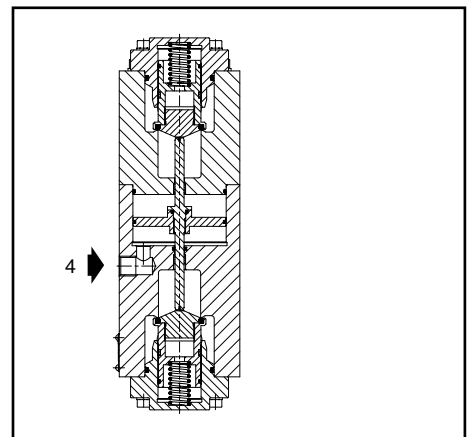
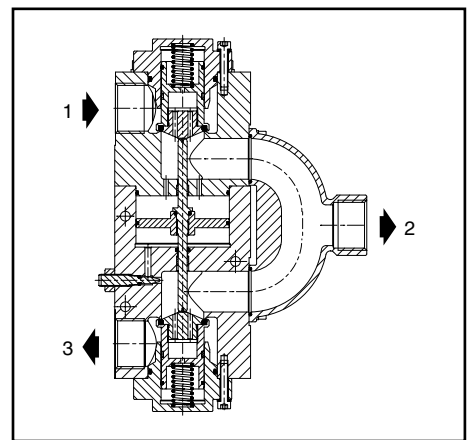
fluids (*)	temperature range (TS)	seal material (*)
air, inert gas	-20 to +90°C	FPM (fluorelastomer)
	-60 to +60°C	PUR (polyurethane), FEP (fluorinated ethylene propylene), (F)VMQ (fluorosilicone) ⁽¹⁾

MATERIALS IN CONTACT WITH FLUID

(*) Ensure that the compatibility of the fluids in contact with the materials is verified

	Stainless steel body	Aluminium body
Body	AISI 316L SS	Aluminium, hard anodised
Stem	Stainless steel	Stainless steel
Springs	Stainless steel	Stainless steel
Sealings & poppets	FPM / PUR, FEP, (F)VMQ ⁽¹⁾	FPM / PUR, FEP, (F)VMQ ⁽¹⁾

⁽¹⁾ PUR for static seals; FEP and (F)VMQ for dynamic seals



SPECIFICATIONS

pipe size	orifice size	flow coefficient Kv / Cv			operating pressure differential (bar)		basic catalogue number ⁽²⁾	
					min. ⁽³⁾	max. (PS)		
		Kv	Cv	air/gas (*)				
❖	(mm)	(m ³ /h)	(l/m)	(gpm)	~/=	aluminium	stainless steel	
3/3 volume booster								
1/2	16	4,0	63	4,6	0,3	10	❖ 330A4A000	❖ 330A4S000
1	28	11	183	12,7	0,3	10	❖ 330A6A000	❖ 330A6S000

❖ Select 8 for NPT ANSI 1.20.3 or Select G for ISO G(228/1)

⁽²⁾ See page 2 for complete catalogue numbers build up

⁽³⁾ On-off : Minimum pilot pressure: 2 bar

Control : Outlet pressure = Pilot pressure (2-10 bar)

INSTALLATION

- Multi language installation/maintenance instructions are included with each valve
- The booster valves can be mounted in any position without affecting operation
- Mounting holes are provided in the valve body
- Threaded pipe connection identifier is 8 = ANPT (ANSI 1.20.3); G = G (ISO 228/1)
- NAMUR interface for direct mount of NAMUR pilot valves
- Declarations of conformity are available on request
- For suitable pilot valves use ASCO 327 series with NAMUR interface and TPL 27121
- To comply with IEC 61508 (SIL) the valves must be provided with a specific exhaust protector (as shown on page 3) or equal

PRODUCT SELECTION GUIDE

PRODUCT CODE

8 330 A 6 S 0 0 0 A00 00

Connection type
 8 = NPT body connections
 G = BSP body connections (ISO 228 standard)

Product series
 330

Revision
 A

Port size
 4 = 1/2" thread
 6 = 1" thread

Body material
 A = Aluminium, hard anodised
 S = AISI 316L stainless steel

Voltage
 00 = No voltage

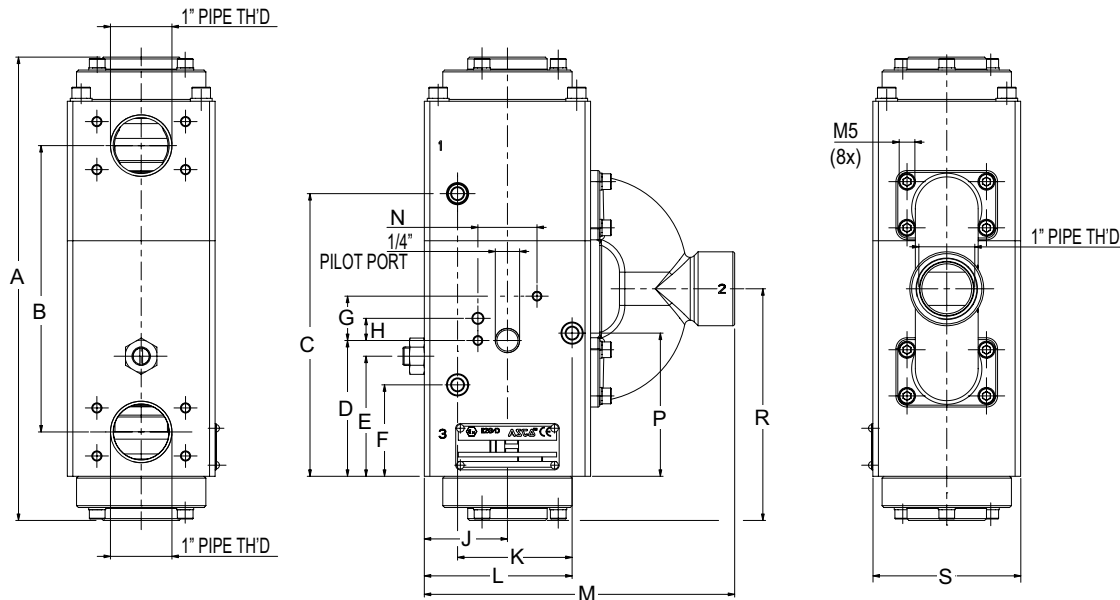
Options
 A00 = No option (FPM seals -20°C to +90°C)
 LTH = Low temperature (PUR, FEP, (F)VMQ seals -60°C to +60°C)
 1NF = Inlet filter
 EXF = Exhaust filter
 ALF = 1NF + EXF
 LT1 = LTH + 1NF
 LT2 = LTH + EXF
 LTA = LTH + 1NF + EXF

Not used
 0 = Default

Not used
 0 = Default

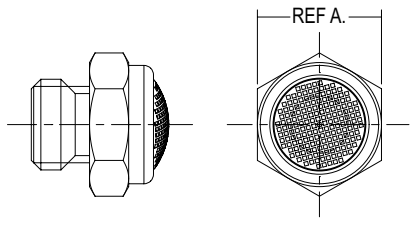
Default characteristics
 0 = NAMUR interface - IP66/67 - SIL3 - ATEX non electrical- CUTR certified

DIMENSIONS (mm), WEIGHT (kg)



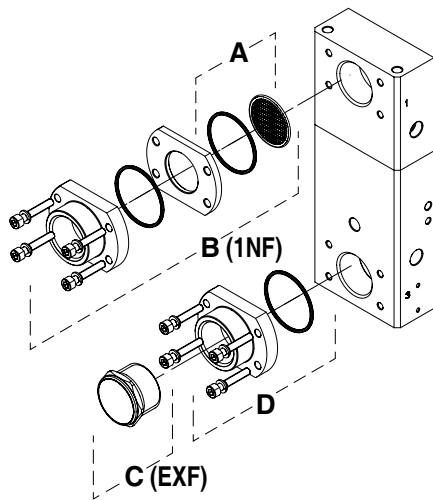
pipe size	body	A	B	C	D	E	F	G	H	J	K	L	M	N	P	R	S	weight
1/2	Aluminium	185,8	118	118	57	46,5	38	24	12	30	36	52	120,5	32	60,5	92,7	66	2,2 kg
	AISI 316L SS																	5,0 kg
1	Aluminium	250,8	155	153	73,5	65	49,5	24	12	45	62	80	168	32	77,5	125,4	80	4,2 kg
	AISI 316L SS																	10,6 kg

316L SS EXHAUST PROTECTOR - C (EXF) ⁽¹⁾

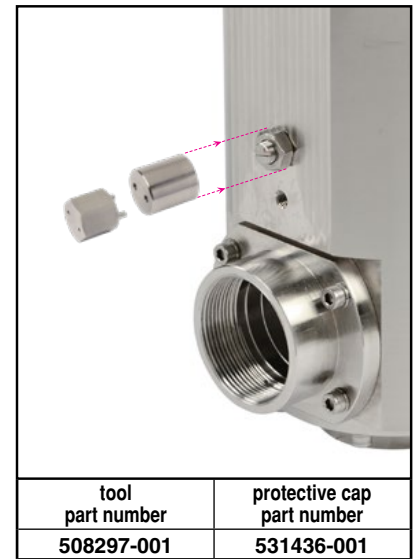
pipe size	thread	part number	mesh/filtering	wrench size (REF A.)	
1/2	ISO 228/1	131875-012	100 - 200 µm	24	
	NPT	131875-013			
1	ISO 228/1	131875-010	60 - 80 µm	36	
	NPT	131875-011			

INLET / OUTLET SPARE PARTS KITS

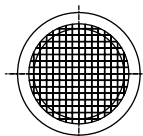
ASSEMBLY DRAWING 1/2 & 1"



PROTECTIVE CAP AND TOOL FOR DAMPENING SCREW



316 SS INLET/EXHAUST FILTER - A ⁽¹⁾

pipe size	filter type	mesh/filtering	
1/2	inlet	26 µm	
1			

SPARE PARTS KITS NO.

pipe size	catalogue number	booster valve maintenance kit number	replacement inlet filter - A ⁽¹⁾ kit number
FPM			
1/2	*330A4*000 - A00 / 1NF / EXF / ALF - 00	C326081	C326083
1	*330A6*000 - A00 / 1NF / EXF / ALF - 00	C325841	C325842
PUR, FEP and (F)VMQ			
1/2	*330A4*000 - LTH / LT1 / LT2 / LTA - 00	C326080	C326082
1	*330A6*000 - LTH / LT1 / LT2 / LTA - 00	C325837	C325838

⁽¹⁾ Refer to inlet/outlet spare parts kits assembly drawing as shown above

FILTER/NOZZLE KITS NO.

pipe size	catalogue number	thread	inlet filter module ⁽²⁾ B (1NF) ⁽¹⁾		nozzle module D ⁽¹⁾	
			Stainless steel	Aluminium	Stainless steel	Aluminium
FPM						
1/2	*330A4*000 - A00 / 1NF / EXF / ALF - 00	ISO 228/1	C326085 + C326089	C326085 + C326144	C326089	C326144
		NPT	C326085 + C326087	C326085 + C326143	C326087	C326143
1	*330A6*000 - A00 / 1NF / EXF / ALF - 00	ISO 228/1	C326042 + C326035	C326042 + C326140	C326035	C326140
		NPT	C326042 + C325843	C326042 + C326139	C325843	C326139
PUR, FEP and (F)VMQ						
1/2	*330A4*000 - LTH / LT1 / LT2 / LTA - 00	ISO 228/1	C326084 + C326088	C326084 + C326142	C326088	C326142
		NPT	C326084 + C326086	C326084 + C326141	C326086	C326141
1	*330A6*000 - LTH / LT1 / LT2 / LTA - 00	ISO 228/1	C326041 + C325034	C326041 + C326138	C325034	C326138
		NPT	C326041 + C325839	C326041 + C326137	C325839	C326137

⁽¹⁾ Refer to inlet/outlet spare parts kits assembly drawings as shown on page 3

⁽²⁾ Can also be used for exhaust filter

HOW TO ORDER BOOSTER VALVE WITH SOLENOID PILOT VALVE



STEP 1

Configure product selection code following selection guide on page 2

Ordering example:
8330A6S0001NF00

STEP 2

Select ASCO NAMUR solenoid valve from the [327 series NAMUR catalogue page \(80107GB\)](#) and add TPL 27121

Ordering example:
NFX 8327B103 24V/DC TPL 27121

STEP 3

Order above mentioned codes to secure optimised special packaging.

NOTE: Mounting will be very easy using the supplied NAMUR mounting bolts and seals