

### Modulair 107 and 112 - G1/8 to G1/2

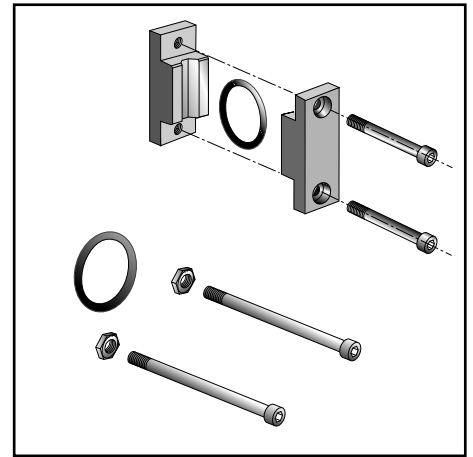
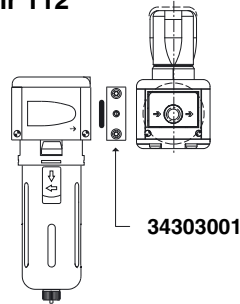
#### PRESENTATION

- This kit enables assembly of two components of the same range

#### CHOICE OF EQUIPMENT

description	code	
	Modulair 107	Modulair 112
1 two-part assembly kit :	34304001	34303001

#### EXAMPLE OF COMBINAISON - Modulair 112



### Modulair 112 - G3/4

#### PRESENTATION

- This kit allows a combination of components to be provided with a G3/4 connecting flange

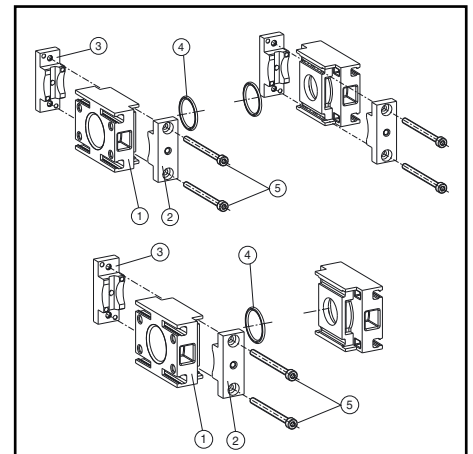
#### COMPOSITION

- ① G3/4 connecting flanges
- ② front assembly flange (holes counterbored))
- ③ rear assembly flange (holes tapped)
- ④ intercomponent seals
- ⑤ assembly screws

#### CHOICE OF EQUIPMENT

description	code Modulair 112	
	controlled pressure 0-10 bar	controlled pressure 0-12 bar (1)
Kit of 2 G3/4 connecting flanges for combinaison versions	34303224	34303177

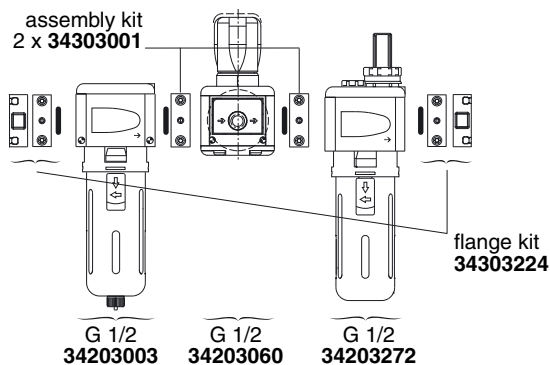
(1) Only with metal bowl



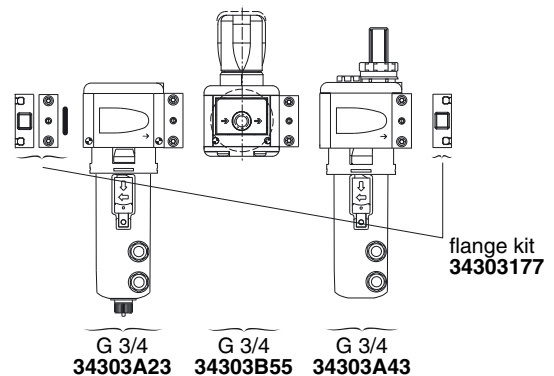
⑤ 3 mm A/F hex key (not supplied)

#### G3/4 EXAMPLE OF COMBINAISON

**Version with polycarbonate bowl and bowl protector**  
max. controlled pressure 10 bar



**Version with metal bowl**  
max. controlled pressure 12 bar



Order the G1/2 version of the components, the appropriate assembly kit and the G3/4 flange kit 0-10 bar  
**34203003 + 34203060 + 2 x 34303001 + 34303272 + 34303224**

Order the G3/4 version of the components and the G3/4 flange kit 0-12 bar  
**34203A23 + 34303B55 + 34303A43 + 34303177**

### PRESENTATION

- Side mounting brackets are for surface mounting of any of the air treatment components, i.e. isolation valve, filter, regulator, filter/regulator, lubricator, shut-off valve and soft-start system, and Clarifair 0.01 µm filter system.

### CONSTRUCTION

	Modulair 105	Modulair 107-112
Brackets	: Glass-fibre reinforced polyamide 6/6	: black painted steel
Retaining screws		: steel

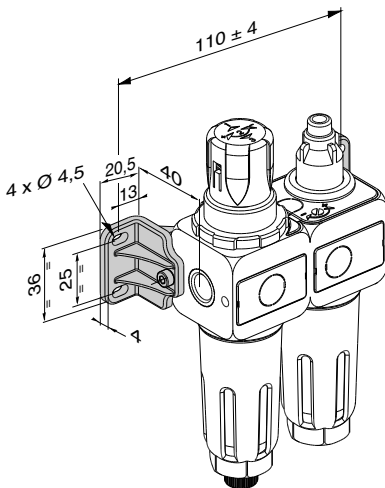
### CHOICE OF EQUIPMENT

description	code			
	Modulair 105	Modulair 107	Modulair 112	
			G1/4 à G1/2	G3/4
1 set of 2 side mounting brackets	34325005	34304003	34303003	34303179

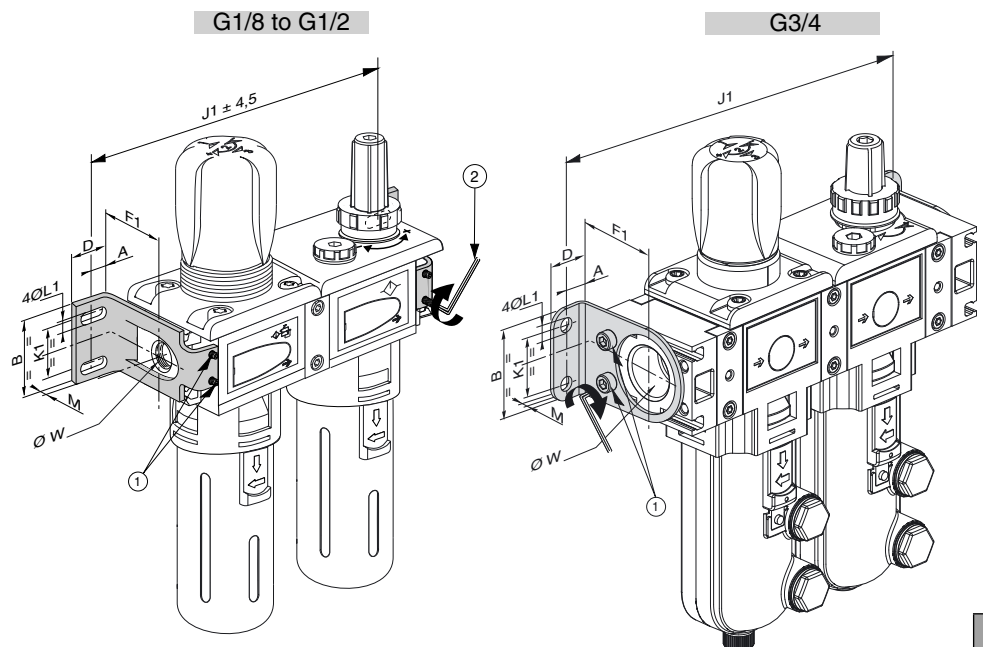


### DIMENSIONS

#### MODULAIR 105



#### MODULAIR 107-112



range	Modulair		
	107	112	112
Ø W	G1/8	G1/4	G3/4
A	13,2	15	24
B	38	44	45
D	20,5	23	40
F1	40	46	42
J1	(1)	(1)	(1)
K1	28	33,5	29
Ø L1	4,5	5,5	7
M	3	4	2
Weight (kg) <sup>(2)</sup>	0,105	0,190	0,330

(1) J1 = distance between fastening centres  
(voir page 45)

(2) weight of 1 set of 2 brackets

- ① Pre-installed retaining screws  
- Modulair 107 range: 2 screws  
- Modulair 112 range: 4 screws

- ② 2 mm A/F hex key (not supplied) - G1/8-G1/2  
4 mm A/F hex key (not supplied) - G3/4

### PRESENTATION

- The top mounting ring and bracket fit the filter/regulator and regulator. These accessories enable bulkhead-mounting of the components.
- The mounting ring can be used separately for panel mounting of a regulator.

### CONSTRUCTION

- Ring : Glass-fibre reinforced polyamide (Modulair 107 and 112 ranges)  
 Light alloy (Modulair 105 range)
- Bracket : Steel with black epoxy paint  
 or black-finish zinc-plated steel

### CHOICE OF EQUIPMENT

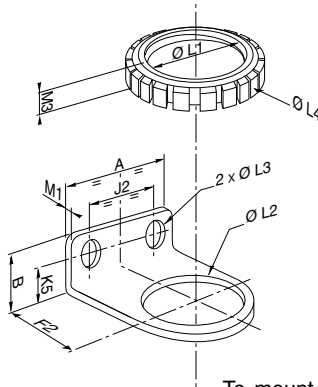
description	code		
	Modulair 105	Modulair 107	Modulair 112
Top mounting ring	34300011	34300011	34300004
mounting bracket	34300016	34300016	34300017

### DIMENSIONS

For regulators and filters/regulators with accessories installed: refer to the corresponding pages

type	Modulair	Modulair
	105-107	112
Ø W	G1/8 G1/4	G1/4 G3/8 G1/2-G3/4
Bowl (cl)	7	12
A	42	45
B	20	20
F2	42	42
J2	29	29
K5	12,5	12
Ø L1	M30 x 2 (2)	M 37 X 2
Ø L2	31	37,5
Ø L3	7	7
Ø L4	40	45
M1	2	2
M2	3	2
M3	6	6

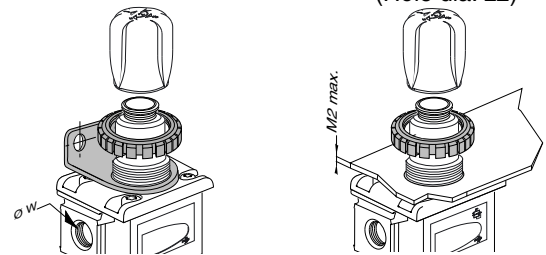
(2) Modulair 105: M 30 x 1,5



### MONTAGE

INSTALLATION WITH BRACKET AND RING

PANEL MOUNTING (Hole dia. L2)



Adaptation for Modulair 107 and 112 ranges

To mount the bracket and ring, remove the pressure control knob from the regulator or filter/regulator. The knob is a snap-on type and can be removed by pulling sharply upward. To remount, push it back on.

## PRESSURE GAUGES

### PRESENTATION

- R1/8 rear centre connection
- Fits all versions of regulators and filters/regulators

### SPECIFICATIONS

- FLUID : filtered air or neutral gas, lubricated or NOT
- PORT : R 1/8 tapered
- DIAMETER : 40 or 50 mm
- SCALE RANGE : see table below
- GRADUATIONS : bar and psi

### CHOICE OF EQUIPMENT

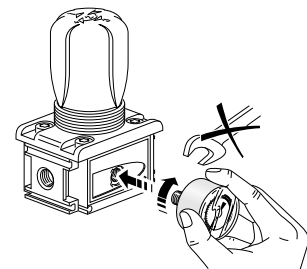
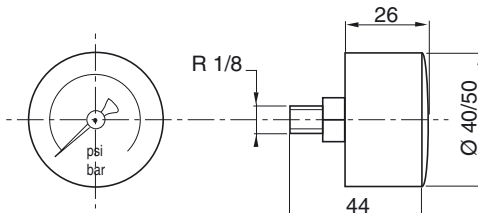
description	code	adaptable sur Modulair		
		105	107	112
40 mm dia. press. gauge only	0 - 4 bar	34300015	*	*
	0 - 10 bar	34300014	●	
	0 - 12 bar	34300041		●
50 mm dia. press. gauge only	0 - 4 bar	34200061		*
	0 - 12 bar	34200062		●
	0 - 16 bar	34200997	*	●

(●): Product for standard applications - (\*): Pressure gauge for optional versions

Separate products and systems are also available in stock packages including pressure gauges

### DIMENSIONS

- Weight
- Ø 40 : 0,065 kg
- Ø 50 : 0,070 kg



Manual installation recommended. Make sure other unused ports are sealed off on installation

**FR**

**GB**

**DE**

Possibilité de constituer des ensembles de traitement de l'air par toute combinaison de produits et accessoires modulaires type 107 - 112. Ce tableau est destiné à définir rapidement l'entraxe des fixations frontale directe ou par équerres latérales des principaux ensembles constitués.

Rechercher la ligne correspondant à l'ensemble de votre application

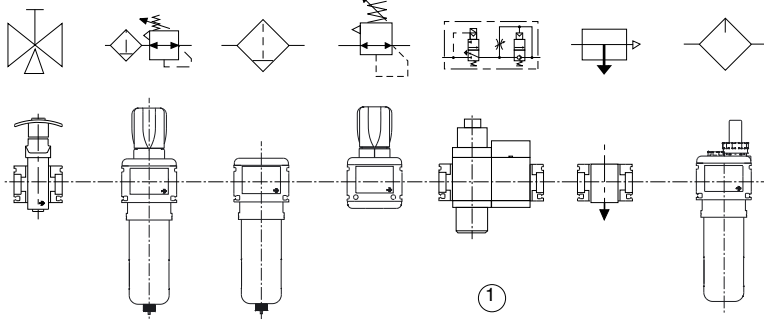
All Modulair type 107 - 112 products and accessories can be combined for air treatment systems. This table shows the distance between axes of fasteners with direct frontal mounting or mounting with side brackets.

Find the line corresponding to the system for your application

Einheiten für die Druckluftaufbereitung können aus den Geräten und dem Zubehör der Baureihe Modulair 107 - 112 beliebig zusammengestellt werden. Die Tabelle dient zur schnellen Ermittlung des Mittenabstands für die direkte Befestigung vorne oder die seitliche Befestigung mit Haltewinkeln der wesentlichen Kombinationen.

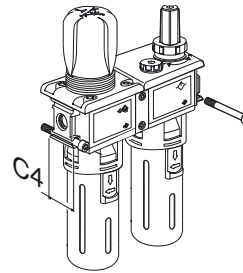
Suchen Sie die Zeile, die der Gerätezusammenstellung für Ihre Anwendung entspricht.

● : produits sélectionnés ● : selected products ● : gewähltes Gerät



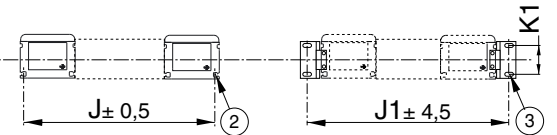
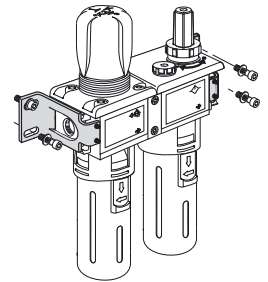
fixation frontale directe  
direct frontal mounting

direkte befestigung vorne



fixation par équerres latérales  
mounting with side brackets

seitliche befestigung mit haltewinkeln



MODULAIR 107 112

G1/4 G3/4  
G1/2

MODULAIR 107 112

G1/4 G3/4  
G1/2

	FR	F	R		L	107	112	112	107	112	112
●	●				●	74	123	171	110,5	162	204
●	●				●	158	248	296	194,5	287	329
●	●				●	116	189	237	152,5	228	270
●	●				●	200	314	362	236,5	353	395
●	●				●	158	248	296	194,5	287	329
●	●				●	116	181	229	152,5	220	262
●	●				●	200	306	354	236,5	345	387
●	●				●	158	247	295	194,5	286	328
●	●				●	242	372	420	278,5	411	453
●	●				●	200	306	354	236,5	345	387
		●			●	74	123	171	110,5	162	204
		●	●		●	116	189	237	152,5	228	270
		●	●	●	●	200	314	362	236,5	353	395
		●	●	●	●	158	255	303	194,5	294	336
		●	●	●	●	242	380	428	278,5	419	461
●	●	●			●	116	181	229	152,5	220	262
●	●	●	●		●	158	247	295	194,5	286	328
●	●	●	●	●	●	242	372	420	278,5	411	453
●	●	●	●	●	●	200	313	361	236,5	352	394
●	●	●	●	●	●	284	438	486	320,5	477	519
●	●	●	●	●	●	116	181	229	152,5	220	262
●	●	●	●	●	●	200	306	354	236,5	345	387

① Ensemble compact vanne de coupure + démarreur progressif (en mm)  
Compact shut-off valve + soft-start system (in mm)  
Kompakteinheit aus Stoppventil + progressivem Anfahrventil

Modulair 107

Modulair 112

② 2 Ø 4,1 prof. / depth / Tiefe C4: 38 G1/4-G1/2, 2 Ø 5,5 prof. / depth / Tiefe C4: 47,5  
G3/4, 4 Ø 4 prof. / depth / Tiefe C4: 55

③ 4 Ø 4,5 épaisseur / thickness / Dicke = 3, K1=28 G1/4-G1/2, 4 Ø 5,5 épaisseur / thickness / Dicke = 4, K1 = 33,5  
G3/4, 4 Ø 7 épaisseur / thickness / Dicke = 2, K1 = 29



### PRESENTATION

- These accessories is used to lock the adjustment knob to prevent inadvertent adjustment of operating pressure. It can be fitted to regulators and filters/regulators whether they are combined with other components or not.

### CONSTRUCTION

Lock device :

- with key : plastic (Modulair 112 : brass)
- ring : acetal resin (POM)
- with screw : steel
- plug-type : plastic

### CHOICE OF EQUIPMENT

It is possible to order:

- products equipped with this device
- products intended for use with this device
- the lock device separately



type	lock device												
	with key			with ring and screw			with screw			with plug (pre-set pressure)			
<b>Modulair</b>	<b>105</b>	<b>107</b>	<b>112</b>	<b>105</b>	<b>107</b>	<b>112</b>	<b>105</b>	<b>107</b>	<b>112</b>	<b>105</b>	<b>107</b>	<b>112</b>	
Lock device <b>supplied with</b> regulator or filter/regulator (1)	662574	662561	662554	662582	662582	662589	662584	662584	662584	662583	010868	010824	
Preparation of regulator or filter/regulator <b>designed to subsequently receive</b> the lock device (1)	662575	662560	662551	662575	662560	662551	662586	662587	662588	-	-	-	
Lock device, <b>supplied separately</b>	34303050 (2)			34304025			34303172			34303173			-

(1) This option code is added to the standard code of the regulator, filter/regulator or system.

(2) Lock supplied separately with 2 keys (weight: 0.060 kg)

### DIMENSIONS

#### REGULATOR OR FILTER/REGULATOR

