

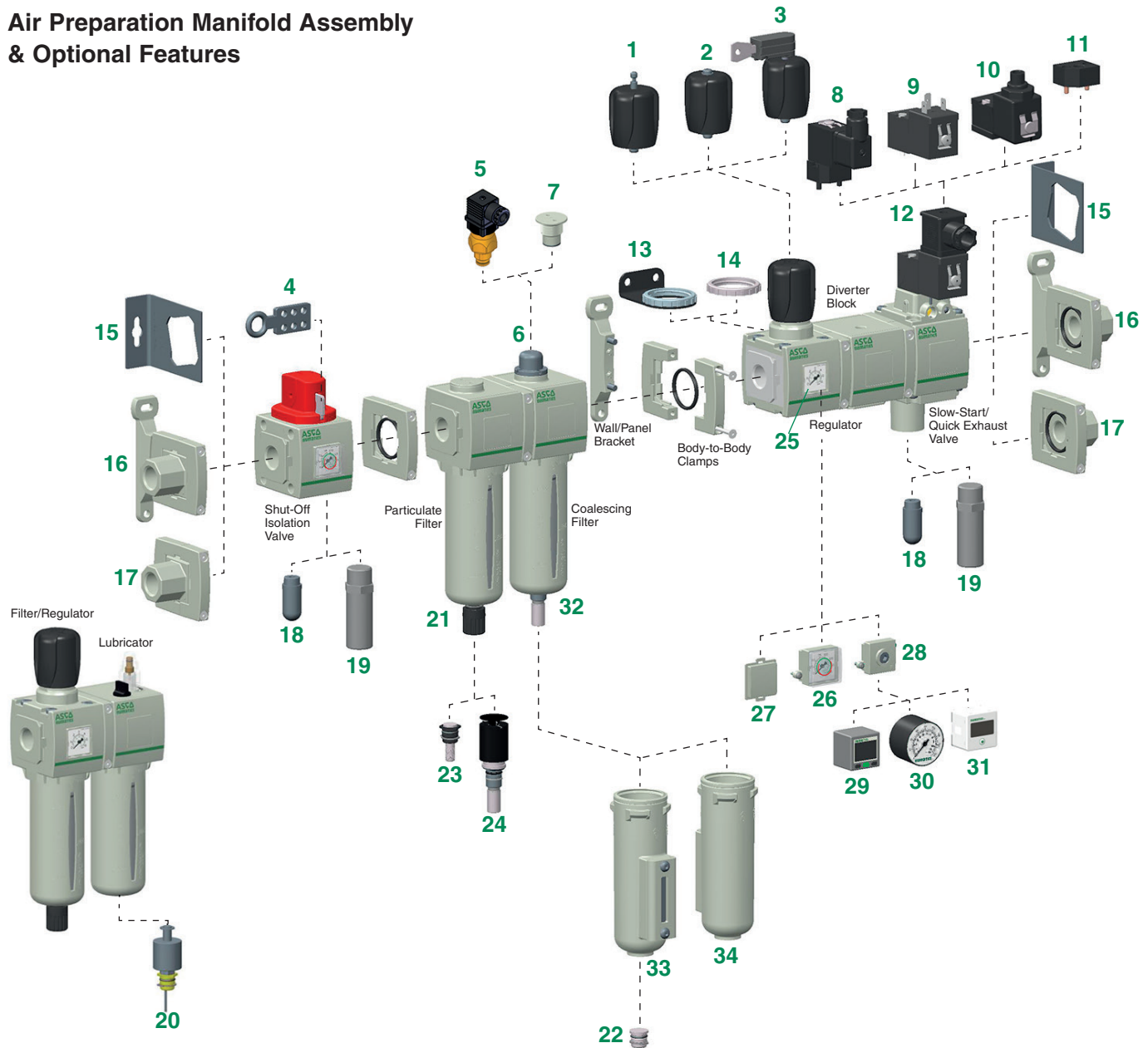
Table of Contents

651/652/653 Series

Product Overview	2
Particulate Filter	4
Coalescing Filter	8
Adsorber - Activated Carbon	8
Regulator	12
Manifold Regulator	16
Particulate Filter/Regulator	19
Coalescing Filter/Regulator	23
Lubricator	27
Shut-Off Isolation Valve	30
Slow Start-Quick Exhaust Valve	33
Diverter Block	36
Lockout Valve	38
Air Preparation FR + L Manifold Assemblies	40
Mounting Bracket Dimensional Drawings	42
Bowl and Drain Features	43
280 Series Digital Pressure Switch	44
PS180 Series Pressure Switch	45
Digital Pressure Gauge	45
349 Series Pressure Switch	46
Electric Differential Pressure Indicator (DPI)	47
Electronic Liquid Level Indicator	47
Kits and Service Parts	48

651/652/653 Series - Product Overview

Air Preparation Manifold Assembly & Optional Features



- | | | |
|--|---|--|
| 1) Provision for Key Lockable (Regulator & F/R*) | 15) Side Mounting Brackets | 30) Round Gauge |
| 2) Tamper Resistant (Regulator & F/R*) | 16) End Plates, Body-to-Body Clamps & Wall/ Panel Brackets | 31) Digital Gauge |
| 3) Key Lockable (Regulator & F/R*) | 17) End Plates & Body-to-Body Clamps | 32) Polycarbonate Bowl & Guard |
| 4) Scissor Lock | 18) Polyethylene Muffler | 33) Metal Bowl with Borosilicate (Glass) Sight Gauge |
| 5) Electric Differential Pressure Indicator (Coalescing Filter) | 19) Metal Muffler | 34) Metal Bowl without Sight Gauge |
| 6) Differential Pressure Visual Pop-Up Indicator (Coalescing Filter) | 20) Electronic Liquid Level Indicator | |
| 7) No Differential Pressure Indicator | 21) Semi-Automatic/Manual Drain | |
| 8) 189 Series Vertical Solenoid | 22) Plug for No Drain | |
| 9) 190 Series Horizontal Solenoid | 23) Manual Drain – Stainless Steel | |
| 10) 190 Series Horizontal Solenoid with 4Pin M12 Connection | 24) Automatic Drain – Normally Open – Brass | |
| 11) Pilot Air Operated | 25) Low profile integrated gauge | |
| 12) Horizontal Solenoid | 26) Low profile integrated gauge with Pressure Range Indicators | |
| 13) Panel Nut/Panel Bracket (Regulator & F/R*) | 27) No Gauge Port | |
| 14) Panel Nut (Regulator & F/R) | 28) Port Plate | |
| | 29) Digital Pressure Switch – DPS 280 Series | |

*F/R = Filter/Regulator

All leaflets are available on: www.asco.com

2 - Air Preparation

651/652/653 Series Modular Assembly Mounting Features

(See Accessories for part numbers: page 51)

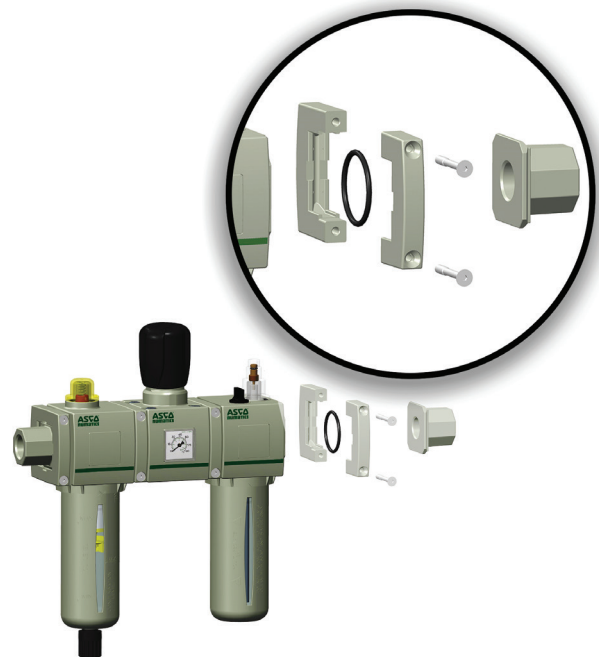
Body-to-Body Assembly Clamp

Easy to assemble Body-to-Body clamp, with captive screws. Products are easily assembled in seconds.



End Plates with Body-to-Body Assembly Clamp

The "End Plate" feature allows the user to easily remove the air prep assembly without having to remove the piping. Simply loosen the screws on the Body-to-Body assembly clamps, and the manifold is easily removed in seconds. The kit includes Inlet/Outlet plates, Body-to-Body clamps and o-rings.



Wall/Panel Bracket

The Wall/Panel Bracket feature is the primary mounting feature for the air prep assemblies. These brackets easily attach to the back of the Body-to-Body assembly clamps using two screws. In addition, this bracket can be used as a support bracket in between any station on the manifold.



Side Mounting Brackets

Side mounting brackets are a quick, effective solution for single elements or light assemblies of few components. Recommended only for static applications (without vibration).

NOTE: All ports are threaded as standard (except Lock-out Valve).

