

PRESENTATION

- Large choice of filtering capacities for oil and water aerosols: 5, 10, 25 and 50 µm
- Condensate level control with manual, semi-automatic or automatic drain integrated in the body
- Compatible for use in major industrial environments: polycarbonate bowl with protector

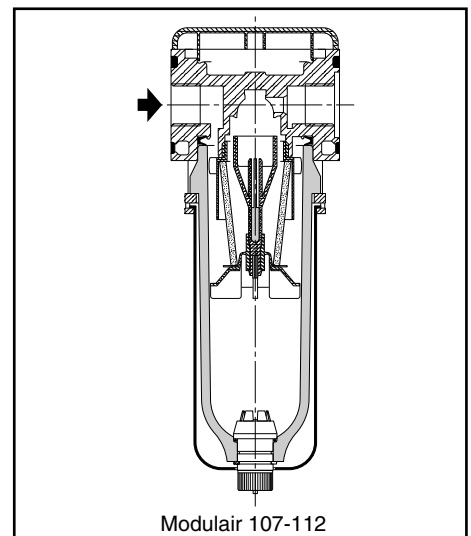
SPECIFICATIONS

FLUID	: Compressed air or neutral gas			
RANGE	105	107	112	112
PORTS	G1/8 - G1/4	G1/8 - G1/4	G1/4...G1/2	G3/4
MAX. INLET PRESSURE (4) (bar) at 23° C	12	16	16	16
	10	10	10	12
at 50° C				
AMBIENT TEMPERATURE	0° C to +50° C			
MAX. FLOW (Qv at 6.3 bar)	See table below and charts			



INDIVIDUAL SPECIFICATIONS AND CONSTRUCTION

- **MODULAIR 105 range**
Filtering capacity: 25 µm and 5 µm
Filtering element of polyethylene (PE)
Glass-fibre reinforced polyamide body (PA)
Polycarbonate bowl (PC), UV resistant
Condensate drain: semi-automatic (operating pressure: min. 1.2 bar) or manual (as option)
- **MODULAIR 107 and 112 ranges**
Filtering capacity: 25 µm and 5 µm (10 and 50 µm on request)
Filtering element of polyethylene (PE)
Painted zamak body
Polycarbonate bowl (PC), UV resistant, with or without bowl protector
Bowl protector with safety lock and condensate level viewing window
Metal bowl for Modulair 112 range (see page 50)
Polyamide bowl as option
Condensate drain: semi-automatic (operating pressure: min. 1.2 bar) or pipable automatic (operating pressure: 2 to 10 bar) or manual drain as option.



CHOICE OF EQUIPMENT

port size	MODULAIR range	bowl capacity		maximum flow (at 10 bar / ΔP 1,5 bar)		code				
		total (cm³)	useful (cm³)	l/min (ANR)	dm³/s (ANR)	filter		automatic drain		
						semi-automatic drain 25 µm	5 µm (1)	25 µm	5 µm (1)	
Polycarbonate bowl WITH protector										
G1/8	105	28	10	890 (5)	14,8	34225213	34225253	-	-	
G1/4	105	28	10	1050 (5)	17,5	34225214	34225254	-	-	
G1/8	107	50	12	1030 (5)	17	34204011	34204015	-	-	
G1/4	107	50	12	1800 (5)	30	34204012	34204016	-	-	
G1/4	112	114	40	2600	43,3	34203001	34203007	34203013	34203019	
G3/8	112	114	40	3000	50	34203002	34203008	34203014	34203020	
G1/2	112	114	40	3800	63,3	34203003	34203009	34203015	34203021	
Metal bowl WITH visualization (others versions see page 27)										
G3/4 (2)	112	114	40	5000	83,3	34203A03	34203A09	34203A01	34203A07	
G3/4 (3)	112	114	40	5000	83,3	34203A23	34203A29	34203A21	34203A27	
Polycarbonate bowl WITHOUT protector										
G1/8	105	28	10	890 (5)	14,8	34225133	34225173	-	-	
G1/4	105	28	10	1050 (5)	17,5	34225134	34225174	-	-	
G1/8	107	50	12	1030 (5)	17	34204023	-	-	-	
G1/4	107	50	12	1800 (5)	30	34204024	-	-	-	
G1/4	112	114	40	2600	43,3	34203038	-	34203360	-	
G3/8	112	114	40	3000	50	34203039	-	34203361	-	
G1/2	112	114	40	3800	63,3	34203040	-	34203362	-	

(1) With a 5 µm filtering element flow is reduced by approx. 15%

(2) Non intended for the combination

(3) Version intended for the combination of various functions (FRL - isolation valve etc ...), select the desired functions and obtain the necessary assembly kits and mounting brackets (see page 42)

(4) P max= 10 bar for version with automatic drain

(5) at 6,3 bar/ΔP 1 bar

INSTALLATION

Each system must be installed with the bowls in vertical position (at the bottom).
Air flow direction indicated by arrow and "IN" - "OUT" marking on body (Modulair 105).

MAINTENANCE

Use an alkaline solution (soapy water) and not a solvent for cleaning the polycarbonate bowls and sight glasses

ACCESSORIES see page 42

OPTIONS

- Metal bowl equipped with semi-automatic, automatic or manual drain for Modulair 112 range (see page 26)
- Polyamide bowl with protector for use in solvent-charged environments for Modulair 107 and 112 ranges
- Manual drain for Modulair 105, 107 and 112 ranges - code **662563** (Modulair 112 - fits on semi-automatic drain version only)
- G3/4 version for Modulair 112 with polycarbonate bowl **with** bowl protector, controlled pressure range 0,5 – 10 bar, use code for G1/2 version + option code **662600**, example: 34203003 + 662600
- Filtering capacity, 10 µm: code **662555** (Modulair 107 range) - code **662535** (Modulair 112 range)
50 µm: code **662556** (Modulair 107 range) - code **662536** (Modulair 112 range)

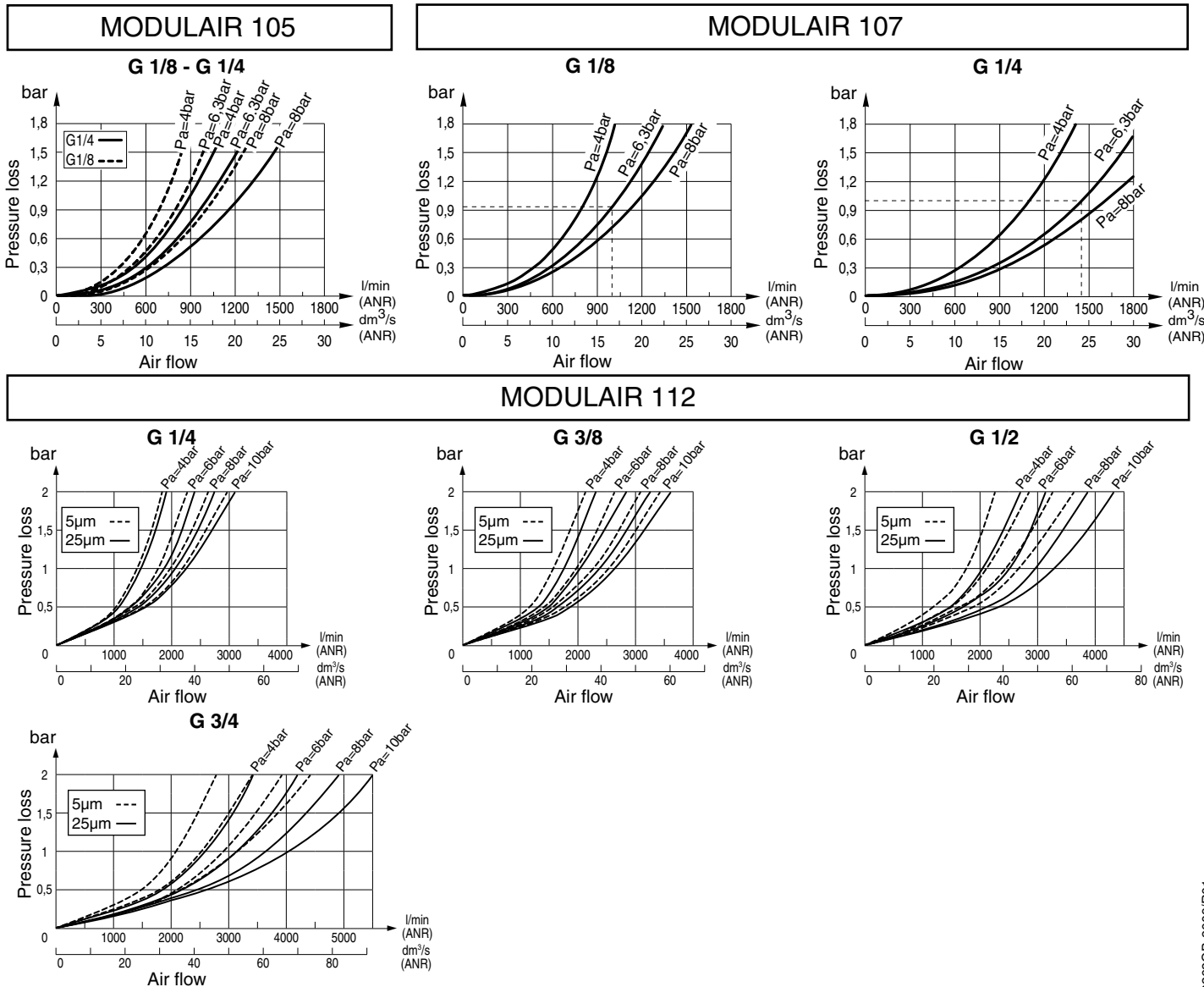
Modulair 107 and 112 range filtering elements are colour-coded as follows:

5 µm = white 10 µm = red
25 µm = yellow 50 µm = green

- Equipment for use in potentially **explosive atmospheres** caused by dusts or gases (ATEX Directive 94/9/EC)

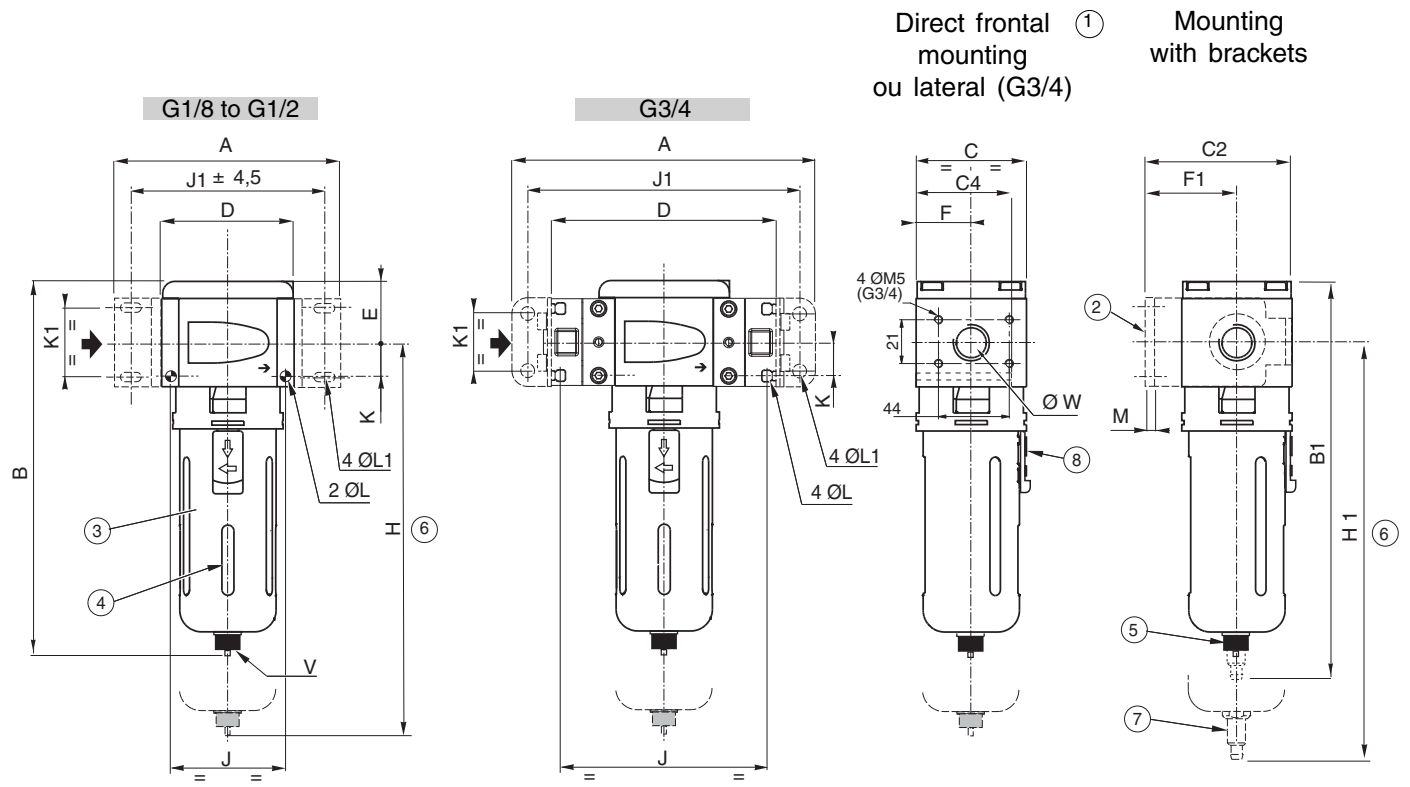
zones	⊕ classification	gas group	Modulair 105	ATEX option code		Modulair 112	
				with bowl protector	without bowl protector	with bowl protector	without bowl protector
2-22	II3GD c T 85°C (T6)	IIA-IIIB-IIC	612077	612073	-	612021	-
1-21	II2GD c IIB T85°C (T6)	IIB	612076	612072	-	612023	-
1-21	II2GD c IIC T85°C (T6)	IIC	-	612064	-	612062	-

PRESSURE LOSS VERSUS AIR FLOW CURVES



DIMENSIONS AND WEIGHTS

MODULAIR 107 - 112



range	Modulaire 107	Modulaire 112	Modulaire 112
Ø W	G1/8	G1/4	G3/4
	G1/4	G3/8	G3/4
		G1/2	
bowl (cl)	7	12	12
A	83	112	154
B	159,5	187	187
B1	-	198	198
C	42	55	55
C2	61	73,5	69,5
C4	38	47,5	55
D	42	66	114
E	25,5	30,5	30,5
F	21	27,5	27,5
F1	40	46	42
H	190	221,5	221,5
H1	-	232,5	232,5
J	32	57	105
J1	68,5	96	138
K	10	17	17
K1	28	33,5	29
ØL	4,1	5,5	4
ØL1	4,5	5,5	7
M	3	4	2
V	G1/8	G1/8	G1/8
Weight	0,280	0,700	1,030
(kg)		0,780 ⁽¹⁾	1,110 ⁽¹⁾

- ① Direct frontal mounting (G1/8 - G1/2) : 2 holes ØL and depth C4
- ② Mounting with 2 side brackets (accessory)
- ③ Metal bowl protector with transparent polycarbonate bowl
- ④ Condensate level window (short slot)
- ⑤ G 1/8 connectable semi-automatic drain
- ⑥ Clearance necessary for removing bowl
- ⑦ Automatic drain with fitting for connection of 6 mm ID hose (Modulaire 112 range)
- ⑧ Protector unlocking button

(1) weight with automatic drain

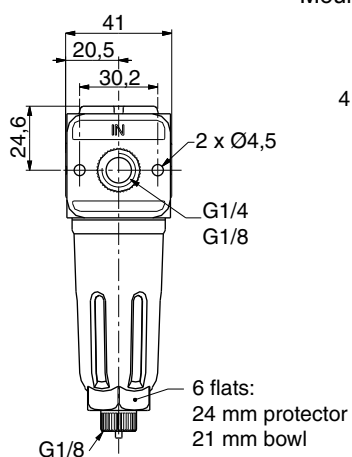
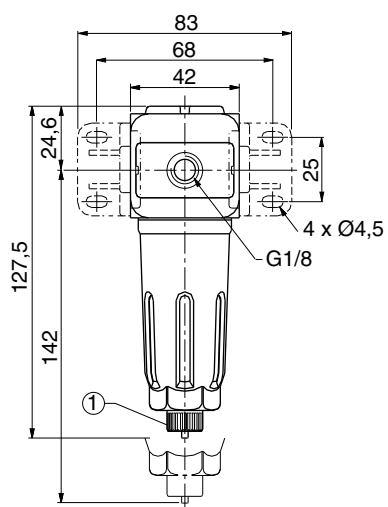
00262GB-2009/R01 Availability, design and specifications are subject to change without notice. All rights reserved.



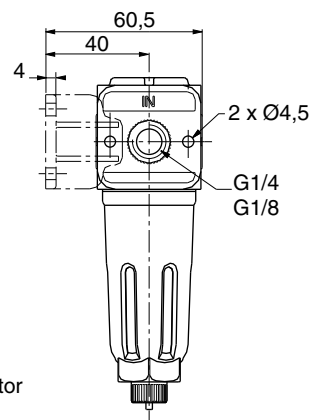
DIMENSIONS EAND WEIGHTS

Weight : 0,134 kg

MODULAIR 105



Mounting with side bracket (2)



- ① Semi-automatic drain, connectable to G1/8
- ② Mounting with side bracket (accessory)