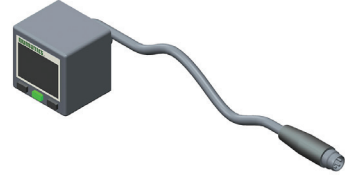


280 Series Digital Pressure Switch

Performance Data	
Port Size/Thread Type	1/8 ISO 7/1 Rc Male x M5-0,8 Female
	1/8 NPTF Male x 10/32 UNF Female
Ambient Temperature Range (°C)	0 to +50
Rated Pressure Range (bar)	0 to 10
Maximum pressure (bar)	15
Fluid	air or inert gas
Set Pressure Resolution	kPa 1
	kgf/cm ² 0,01
	bar 0,01
	PSI 0,1
LCD Display	7 Segment; Red/Green Color
Sampling Rate	5 times per second
Repeatability	≤ +/- 0,2% F.S. +/- 1 Digit
Hysteresis (window comparator mode)	Adjustable
Electrical Ratings	
Power Supply Voltage	12 to 24 VDC +/- 10% Ripple (P-P) 10% or Less
Current Consumption	≤ 45 mA (with no load)
Switch Output	PNP Open Collector / NPN Open Collector
Max. Load Current	125 mA 125 mA
Max Supply Voltage	24 VDC 30 VDC
Residual Voltage	≤ 1,5 V ≤ 1,5 V
Load Current	125 mA 125 mA
Enclosure Rating	IP40
Materials in Contact with Fluid	
Enclosure Case	PBT + 30 GF
Port	Nickel Plated Brass
Seals	NBR



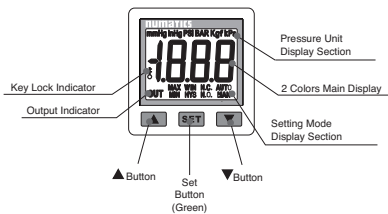
How to Order

Model Numbers

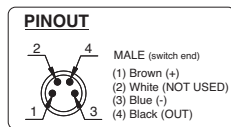
DPS280PRQ8 1/8 ISO 7/1 Rc (PNP) DPS280PNQ8 1/8 NPTF (PNP)
 DPS280NRQ8 1/8 ISO 7/1 Rc (NPN) DPS280NNQ8 1/8 NPTF (NPN)

Note: All part numbers include an 8 mm Pico 4 Pin connector and 2 meter cable (4 mm O.D. x 24 AWG)

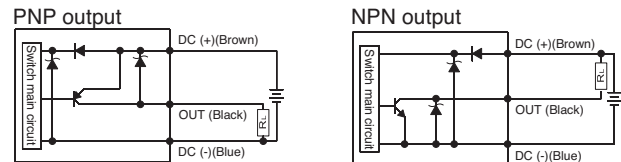
Display Panel Instructions



Switch Wiring



Output Circuit Wiring



Accessory Numbers

Model	Accessory Description
DPS280-8-4-ST-2	Mating Cable 8 mm 4 Pin 2 Meter
DPS280-8-4-ST-5	Mating Cable 8 mm 4 Pin 5 Meter
PC0402MEETA03000	Patch Cable M8 4 Pin X M12 3 Pin 2 Meter

Model	Accessory Description
PMK280-C	Panel Mount Kit with Cover

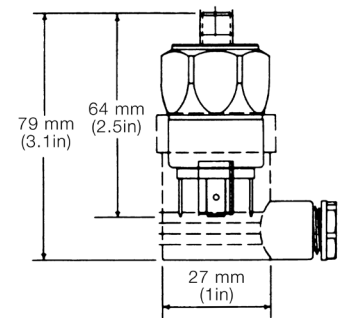
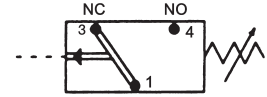
PS180 Series Pressure Switch

Performance Data	
Port Size/Thread Type	ISO 228/1-G (BSPP) & 1/8 NPTF
Ambient temperature range (°C)	-15 to +85
Set Point Adjustment Ranges (bar)	0,28 to 1,38; 0,97 to 10,34
Maximum pressure (bar)	20,7
Fluid	air or inert gas
Maximum Cycle Rate per Minute	200
Hysteresis Adjustment	15%
Electrical Ratings	
Switch Contact Rating	4 A
Maximum Voltage	250 VAC (200 VDC)
Enclosure Rating	IP65
Materials in Contact with Fluid	
Connector Housing	Polyamide
Port	Zinc plated steel
Seals	NBR

How to Order

Model Numbers

PS180CAG01	1/8 ISO 228/1-G
PS180CAN01	1/8 NPTF



Digital Pressure Gauge

Performance Data	
Port Size/Thread Type	1/8 (ISO 7/1 Rc or NPTF)
Ambient temperature range (°C)	0 to +50
Rated Pressure Range (bar)	0 to 10
Maximum pressure (bar)	15
Fluid	air or inert gas
Display (Unit Measurement)	PSI, bar, Mpa, kgf/cm ²
LCD Display	7 Segment 3-1/2 Digit
Sampling Rate	2 times per second
Repeatability	< + 0.2% + 1 Digit
Electrical Ratings	
Battery	CR 2032 Lithium (Replaceable)
Battery Life	3 Year (display turned on 5 times per day)
Battery Power Saving Mode	Display turns off after 30 seconds
Enclosure Rating	IP65
Materials in Contact with Fluid	
Enclosure - Front Case	ABS
Enclosure - Back Case	Zinc
Seals	NBR



How to Order

Model Numbers

M699AG504650002	1/8 ISO 7/1
M699AG504650001	1/8 NPTF

349 Series Pressure Switch

Performance Data		
	Without Protection	With Protection
Port Size/Thread Type	Pad Mounted	
Fluid	air or inert gas	
Pressure Setting	0,2 to 6; 0,5 to 10; 0,5 to 16 bar	
Hysteresis	0,4 bar at the beginning of adjustment range 1 bar at the end of adjustment range	
Operating Temperature (°C)	-10 to +60	0 to +60
Max Voltage	250V - AC/DC	24 VDC
Current Breacking Capacity	5A - 250V Resistive	2A - 24VDC Resistive
Protection Degree	IP65	
Max Speed	60 cycles per minute	
Material in contact with fluid		
Body	High Performance Polymer(PA61/XT) / Aluminium for 16 bar version	
Seals	NBR	

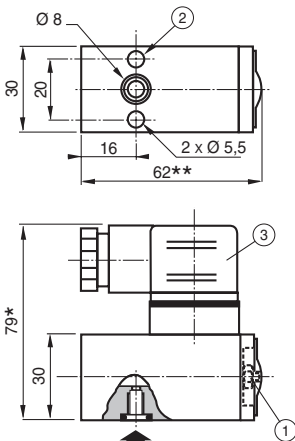


How to Order

	0,2 - 6 bar	0,5 - 10 bar	0,5 - 16 bar
With Protection	34900028	34900031	34900034
Without Protection	34900027	34900030	34900033

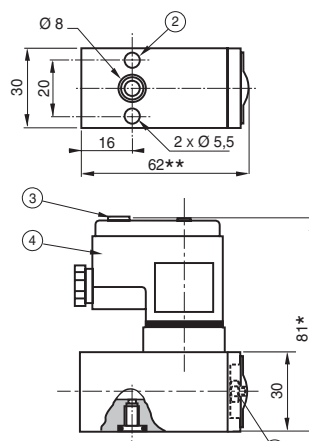
Dimensional Drawings

Without Protection



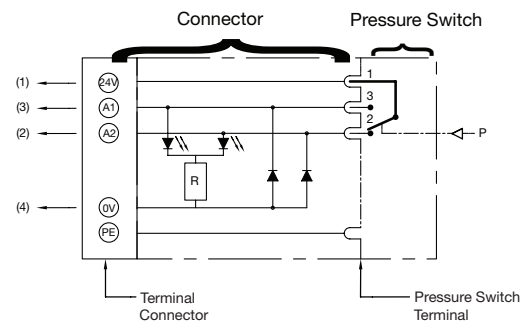
- ① Pressure set screw (spanner for hexagon nuts: 3 mm)
 - ② 2 holes Ø 5,5 for mounting
 - ③ ISO4400 size 30 connector, 4 terminals, rotatable by 90°
- * +15 mm for connector clearance
** +2 mm for 0,5-16 bar version

With Protection



- ① Pressure set screw (spanner for hexagon nuts: 3 mm)
 - ② 2 holes Ø 5,5 for mounting
 - ③ Identification label holder
 - ④ ISO 4400 size 30 connector, 4 terminals, non rotatable
- * +15 mm for connector clearance
** +2 mm for 0,5-16 bar version

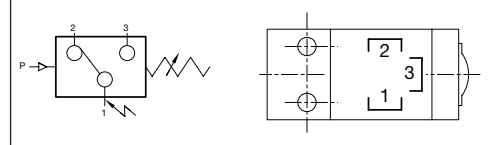
With Protection Electrical Diagram



Status indicated by two diodes:

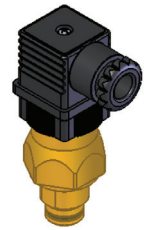
- at rest: contact 1-2 made: orange diode lights
 - at work: contact 1-3 made: red diode lights
- Terminal connection for 1,5 mm² wire integrated interference blinking

Electrical Connection With and Without Protection



Electric Differential Pressure Indicator

Performance Data	
Ambient temperature range (°C)	-25 to +100
Maximum pressure (bar)	20
Delta P Setting (bar)	0,7
Electrical Ratings	
Switching Contact	SPDT
14 VDC/5 A; 30 VDC/4 A; 125 VAC/5 A; 250 VAC/5 A	
Minimum Load	5 VDC / 160 mA
Enclosure Rating	IP65 (DIN Connector 43650)
Materials in Contact with Fluid	
Body	Brass
Seals	NBR



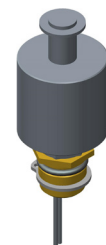
How to Order

Model Numbers

M699AG439851003

Electronic Liquid Level Indicator (for Lubricator)

Performance Data	
Actuation Point	25 ml (Nominal)
Switch Contact is open when fluid drops below 25 ml	
Connection	1/8-27 NPT External Thread
Electrical Ratings	
Switching Contact	SPST
Switch Type	50 Watt Reed Switch
Wire Size / Length	22 AWG / 610 mm
Materials in Contact with Fluid	
Body	Brass
Float	Nylon



How to Order

Model Numbers

M699AG506837001