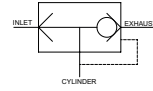




# ACCESSORY VALVES

quick exhaust valve  
1/4 - 1/2



Series

**800**

## GENERAL

**Operating pressure** 0 to 16 bar [1 bar = 100 kPa]  
**Ambient temperature range** -20°C to +105°C

fluids (*)	temperature range (TS)	seal materials (*)
clean dry air or dry inert gas	-20°C to +105°C	NBR (nitrile)

## MATERIALS IN CONTACT WITH FLUID

(\*) Ensure that the compatibility of the fluids in contact with the materials is verified

**Body** AISI 316L  
**Seals** NBR

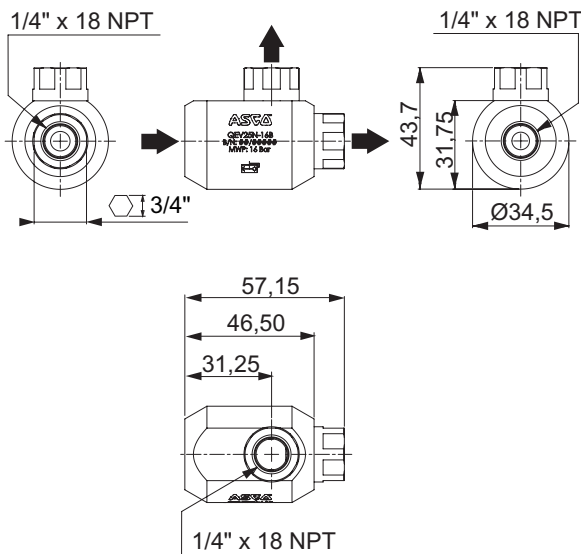
## SPECIFICATIONS

pipe size	flow coefficient Kv				catalogue number
	to actuator		actuator to exhaust		
	(m <sup>3</sup> /h)	(l/min)	(m <sup>3</sup> /h)	(l/min)	
1/4	1,09	18,18	3,43	57,2	<b>8800A10000N0000</b>
1/2	3,03	50,51	3,52	58,6	<b>8800A10200N0000</b>

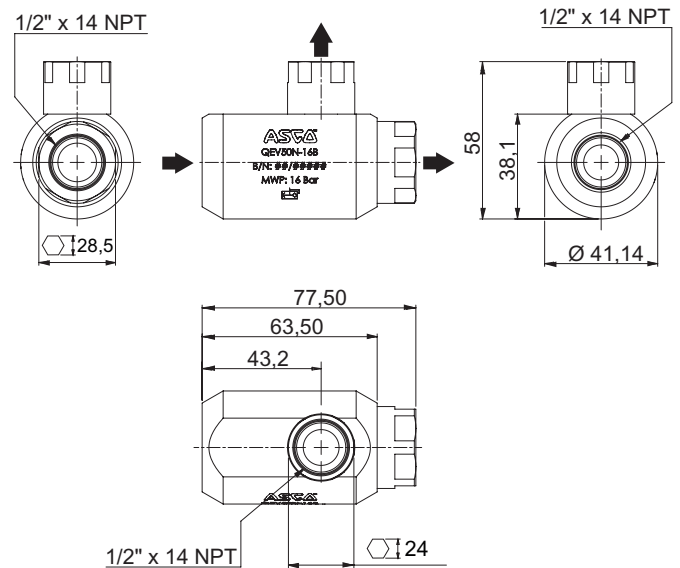


## DIMENSIONS (mm), WEIGHT

**8800A10000N0000**



**8800A10200N0000**



catalogue number	Ø A	weight
<b>8800A10000N0000</b>	1/4 NPT	0,32
<b>8800A10200N0000</b>	1/2 NPT	0,55

