

FEATURES

- Wide tap water pressure regulation ranges: 0,5 to 6 bar
- Reliability and durability, low hysteresis, rolling diaphragm, no friction
- Non-self-relieving regulator

GENERAL

Fluid	water
Maximum inlet pressure	12 bar
Controlled pressure	0,2-3 bar or 0,5-6 bar
Hysteresis	0,35 bar
Ambient temperature range	+5°C to +50°C
Max. flow (Qv at 6,3 bar)	550 l/min - 650 l/min

CONSTRUCTION

Seals	NBR (nitrile)
Body	polyamide (PA) (glass-fibre reinforced)
Locking pressure control knob	"pull-turn-push"

INSTALLATION

Regulators can be installed in any position
Panel mounting possible (mounting ring: see accessories)
Fluid flow direction indicated by arrow and "IN" - "OUT" marking on body

SPECIFICATIONS

pipe size	max. inlet pressure (bar)	controlled pressure (bar)	flow coefficient Kv		catalogue number	
					regulator	
G	(bar)	(bar)	(m³/h)	(l/min)	with gauge 0-10 bar (Ø 40 mm)	without gauge
Adjustment range: standard						
1/8	12	0,5 ... 6	0,58	9,7	34225273	34225271
1/4	12	0,5 ... 6	0,90	15	34225274	34225272
Adjustment range: low						
1/8	12	0,2 ... 3	0,58	9,7	34225269	34225267
1/4	12	0,2 ... 3	0,90	15	34225270	34225268

ACCESSORIES


See "Pneumatic components for industrial automation" catalogue

OPTION

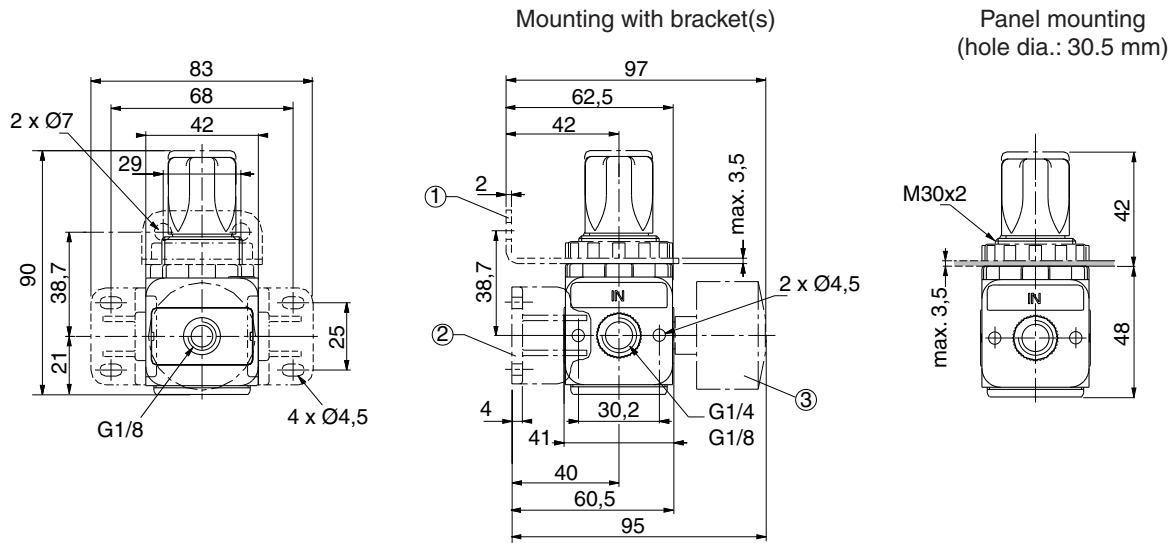
- Equipment for use in potentially explosive atmospheres caused by dusts or gases (ATEX Directive)

zones	⊕ classification	gas group	ATEX option code
2-22	II3GD c T 85°C (T6)	IIA-IIB-IIC	612077
1-21	II2GD c IIC T85°C (T6)	IIC	612066



DIMENSIONS (mm), WEIGHT (kg) 

Weight: 0,130 kg



- ① Mounting with top bracket (accessory) and ring
- ② Mounting with 2 side brackets (accessory)
- ③ Dia. 40 mm pressure gauge