



SUPPLY RAIL

for mounting of
monostable/bistable spool valves
1/4 - 3/8 - 1/2

Series
881

FEATURES

- Supply rail 1/4 (for valve series 551, L1), 3/8 (for valve series L2) and 1/2 (for valve series 553, L8)
- Easy, quick and cost-effective installation
- Orientable rail mounting for easy adaption to specific machine arrangement
- Available with up to 8 outlets

GENERAL

Max. inlet pressure 0 - 16 bar [1 bar = 100 kPa]
Differential pressure 0 - 10 bar
Ambient temperature -20°C to + 60°C

fluids (*)	temperature range (TS)	seal materials (*)
air, inert gas, filtered	-20°C to + 60°C ⁽¹⁾	NBR (nitrile)

⁽¹⁾ -20°C to +90°C when using valves other than those of series 551/521/L1/L2/553/L8.



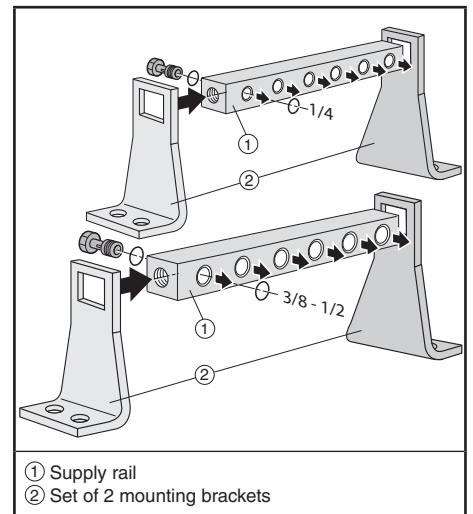
MATERIALS IN CONTACT WITH FLUID

(*) Ensure that the compatibility of the fluids in contact with the materials is verified

Supply rail Aluminium
Banjo bolts Brass nickel plated
O-rings NBR

OTHER MATERIALS

Mounting brackets Steel



SPECIFICATIONS

supply inlet size	orifice size	flow coefficient Kv		operating pressure differential (bar)			number of outlets	catalogue number (supply rail for «n» valves)		
				min.	max. (PS)			for valves G 1/4 (series 521, 551, L1, L2,...)	for valves G 3/8 (series L2,...)	for valves G 1/2 (series 553, L8,...)
					air inert gas (*)	~				
G	(mm)	(m³/h)	(l/min)							
Supply rail with seals and banjo bolts, without mounting brackets										
3/8 (outlets 2..8 x 1/4)	7	1,2	20	0	10	10	2	88100034	-	-
							3	88100035	-	-
							4	88100036	-	-
							5	88100037	-	-
							6	88100038	-	-
							7	88100039	-	-
3/4 (outlets 2..8 x 3/8 or 1/2)	12 (3/8) 13 (1/2)	2,7 (3/8) 3 (1/2)	45 (3/8) 50 (1/2)	0	10	10	2	-	88100800	88100759
							3	-	88100801	88100760
							4	-	88100802	88100761
							5	-	88100803	88100762
		6	-				88100804	88100763		
		7	-				88100805	88100764		
		8	-				88100806	88100765		
		Set of 2 mounting brackets								
-	-	-	-	-	-	-	88100049	88100773		

00194GB-2017/R01
Availability, design and specifications are subject to change without notice. All rights reserved.

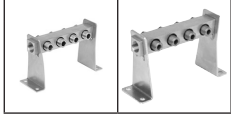
OPTIONS

- Other pipe connections are available on request

INSTALLATION

- The supply rails can be mounted in any position without affecting operation
- Threaded pipe connection is standard: G = G (ISO 228/1)
- Installation/maintenance instructions are included with each supply rail

DIMENSIONS (mm), WEIGHT (kg)

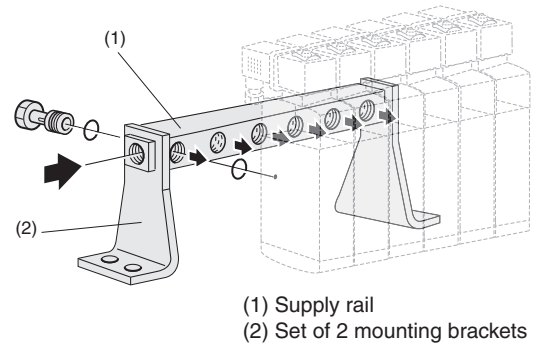
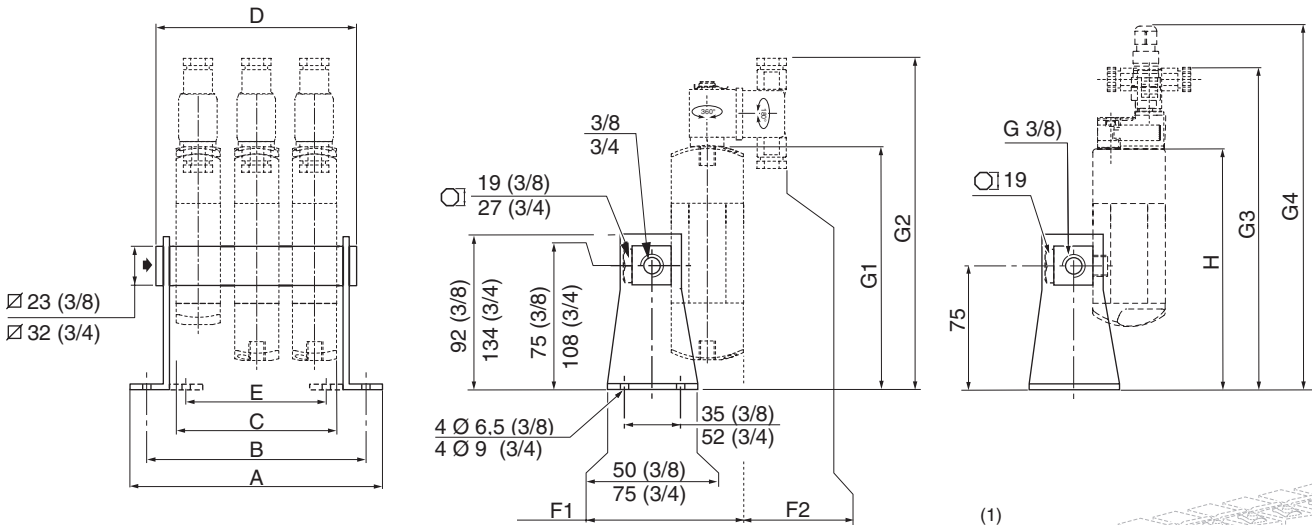


TYPE 01- 02

Supply rails
Aluminium

Type 01 = Inlet G 3/8, outlets G 1/4

Type 02 = Inlet G 3/4, outlets G 3/8 or G 1/2

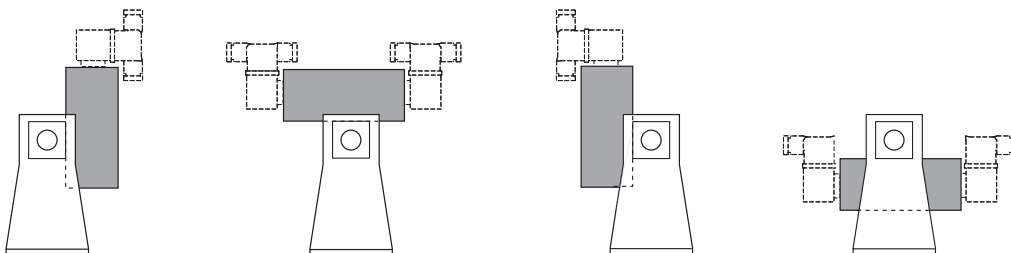


type	supply inlet size	number of valves	A	B	C	D	E	weight ⁽²⁾		
								1/4	3/8	1/2
01	3/8	2	108	92	55	78	42	0,125	-	-
		3	136	120	83	106	70	0,176	-	-
		4	164	148	111	134	98	0,225	-	-
		5	192	176	139	162	126	0,276	-	-
		6	220	204	167	190	154	0,326	-	-
		7	248	232	195	218	182	0,374	-	-
02	3/4	2	276	260	223	246	210	0,424	-	-
		3	136	116	81	117	-	-	0,322	0,350
		4	177	157	122	158	-	-	0,454	0,497
		5	218	198	163	199	-	-	0,591	0,648
		6	259	239	204	240	-	-	0,719	0,791
		7	300	280	245	281	-	-	0,844	0,930
		8	341	321	286	322	-	-	0,990	1,091
		8	382	362	327	363	-	-	1,115	1,230

adaptable valves	F1	F2	G1	G2	G3	G4	H
551	82	27	148	194	197	232	147
521	68	26	-	166	-	-	-
L1	78	22	78	160	-	-	-
552	126	20	202	260	-	-	-
L2	88	22	88	168	-	-	-
553	126	20	202	260	-	-	-
L8	111	22	111	256	-	-	-

⁽²⁾ Supply rail with banjo bolts and seals
Additional weight per set of 2 mounting brackets: G 3/8 outlets 1/4 = 0,186 , G 3/4 outlets 3/8 or 1/2 = 0,416

This mounting arrangement allows valves to be mounted in any of 4 positions.





SUPPLY RAIL WITH PRESSURE ISOLATION VALVES

for mounting of monostable/bistable valves

1/4

Series
881

FEATURES

- Supply rail allowing for easy installation of isolation valves during operation without having to cut the general pressure supply
- Supply rail designed for a large variety of 1/4" valves (521, 551, L1, L2)
- Isolation valves, mounting brackets and hardware included for immediate installation
- Large range of optional accessories to allow the rail to be adapted to different uses: 1/8" isolation valve, supply pressure isolation valve, shut-off valve etc.

GENERAL

Max. inlet pressure 0 - 16 bar [1 bar = 100 kPa]
Differential pressure 0 - 10 bar
Ambient temperature -20°C to +90°C

fluids (*)	temperature range (TS)	seal materials (*)
air, inert gas, filtered	- 25°C to + 60°C	NBR (nitrile)

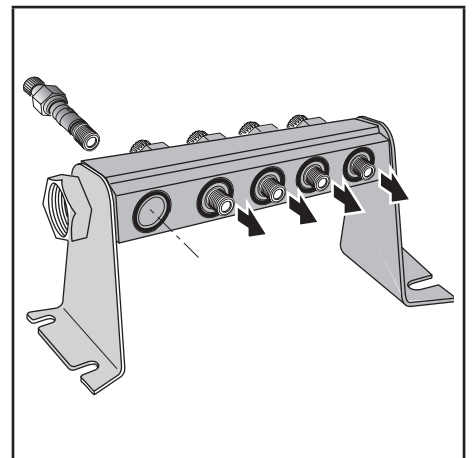
MATERIALS IN CONTACT WITH FLUID

(*) Ensure that the compatibility of the fluids in contact with the materials is verified

Supply rail Aluminium
End pieces Stainless steel
Screw/isolation valve Stainless steel
O-rings NBR

OTHER MATERIALS

Low mounting brackets (65 mm) Stainless steel



SPECIFICATIONS

supply inlet size	orifice size	flow coefficient Kv		operating pressure differential (bar)			number of outlets	catalogue number (supply rail for «n» valves with end pieces and low 65 mm mounting brackets)
				min.	max. (PS)			
G	(mm)	(m³/h)	(l/min)		~	=		
Supply rail with isolation valves, end pieces and low mounting brackets								
1/2 (outlets 2..12 x 1/4)	6,8	1,1	18,3	0	10	10	2	88100915
							3	88100916
							4	88100917
							5	88100918
							6	88100919
							7	88100920
							8	88100921
							9	88100922
							10	88100923
							11	88100924
							12	88100925

00194GB-2017/R01
Availability, design and specifications are subject to change without notice. All rights reserved.

OPTIONS

- High mounting brackets (120 mm) for lateral and bottom mounting of bistable valves
- Isolation valve with G 1/8 thread for valve type L1
- Supply pressure isolation valve
- Shut-off valve 1/4
- Other pipe connections are available on request

INSTALLATION

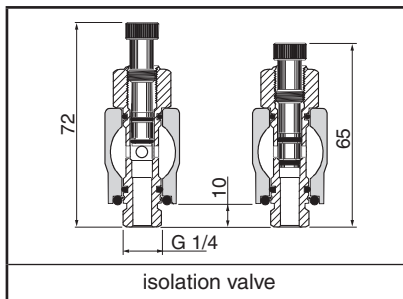
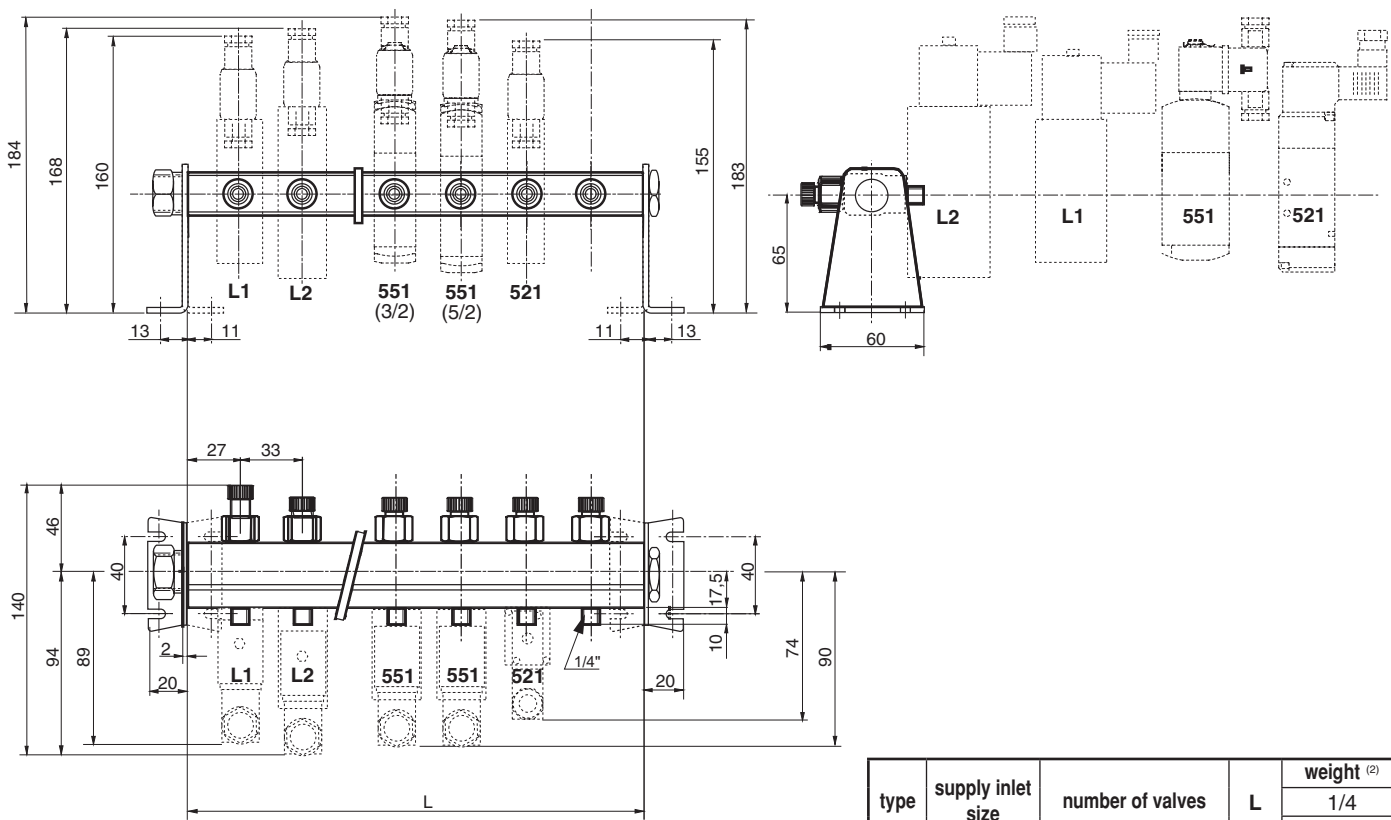
- The supply rails can be mounted in any position without affecting operation
- Threaded pipe connection is standard: G = G (ISO 228/1)
- Installation/maintenance instructions are included with each supply rail

DIMENSIONS (mm), WEIGHT (kg)



TYPE 01

Supply rails
Aluminium
Inlet G 1/2, outlets G 1/4



type	supply inlet size	number of valves	L	weight ⁽²⁾	
				1/4	
01	1/2	2	87	0,125	
		3	120	0,176	
		4	153	0,225	
		5	186	0,276	
		6	219	0,326	
		7	252	0,374	
		8	285	0,424	
		9	318	-	
		10	351	-	
		11	384	-	
		12	417	-	

⁽²⁾ Supply rail with plugging screws, mounting brackets and seals.

This mounting arrangement allows valves to be mounted in any of several positions.

