



# SEQUENCERS FOR DUST COLLECTOR SYSTEMS

without internal  $\Delta P$  pressure sensor  
for the control of up to 48 solenoid valves



Series  
**E909**

## FEATURES

- Electronic controller for the control of solenoid valves in dust collector systems
- ON/OFF filter cleaning cycle from external switch
- Microprocessor management
- Supply and output voltage selectable via jumper
- 5 programming keys
- Alphanumeric display, multilingual
- Adjustable pulse and interval times
- Automatic detection of number of valves
- Additional post-cleaning cycle mode
- High immunity from external interference
- Short-circuit protection of every single output
- 3 output relay (e.g. group alarm), 3 digital inputs (volt-free)



## CONSTRUCTION

**Housing** ABS (acryl nitrile butadiene styrene), grey  
**Cover** PC (polycarbonate), transparent

## ELECTRICAL CHARACTERISTICS

**Standard supply voltage** AC (~) 230/115 V

**Output voltage** DC (=) 24 V

Other voltages on request

max. load power per output (W)	ambient temperature (°C)	electrical enclosure protection
25	-10 to 60	IP65

## KENNDATEN

number of solenoid valves <sup>(1)</sup>	adjustable pulse time	adjustable interval time	size	catalogue number
	sec.	sec.		
4	0,05 - 5,0	1 - 999	1	E909SC4MU7.1
8				E909SC8MU7.1
12				E909SC12MU7.1
16				E909SC16MU7.1
20			2	E909SC20MU7.2
24				E909SC24MU7.2
28				E909SC28MU7.2
32			E909SC32MU7.2	
36			3	E909SC36MU4.2
40				E909SC40MU4.2
44				E909SC44MU4.2
48				E909SC48MU4.2

<sup>(1)</sup> up to 192 valves on request.

## OPTIONS (on request)

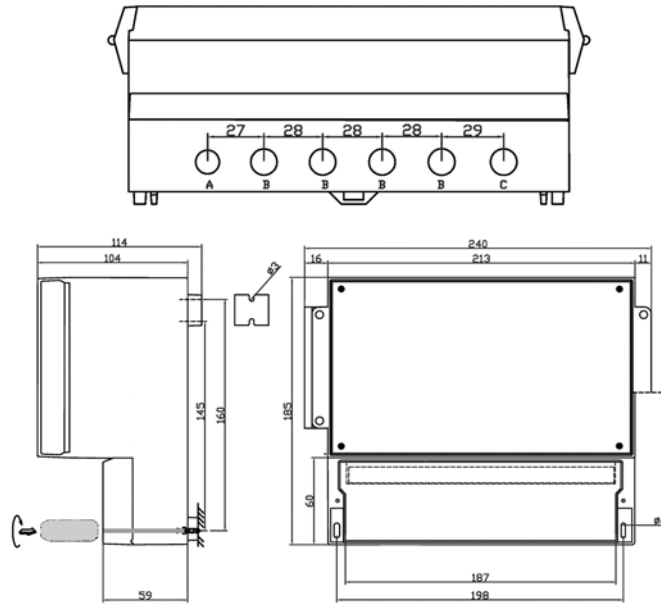
- Other voltage ratings, other housings and devices with ATEX approval

## INSTALLATION

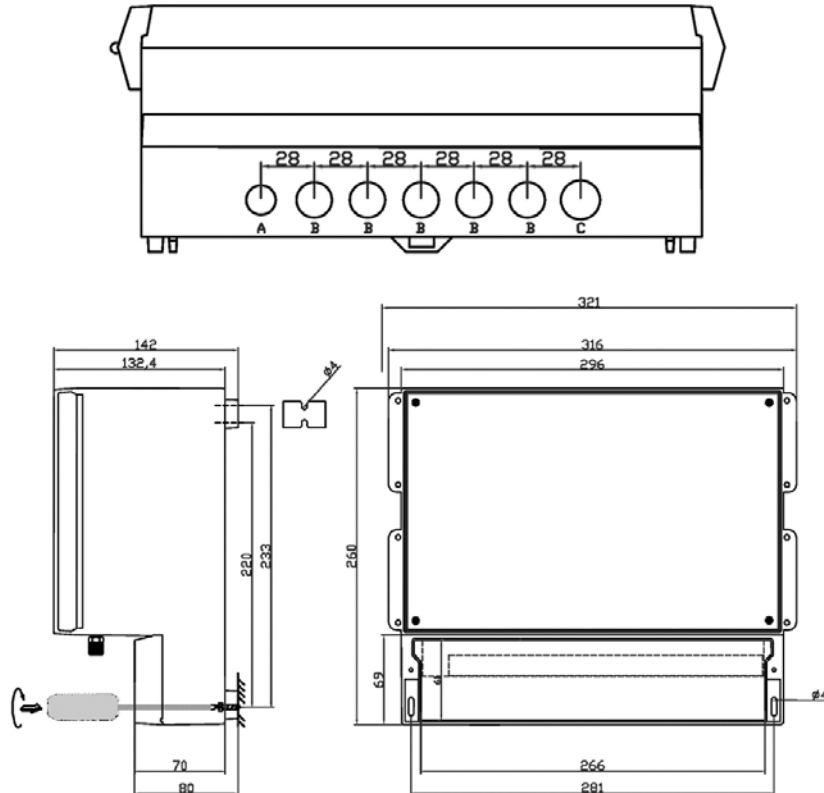
- Installation/maintenance instructions are included with each sequencer

## DIMENSIONS (mm), WEIGHTS

### Size 1

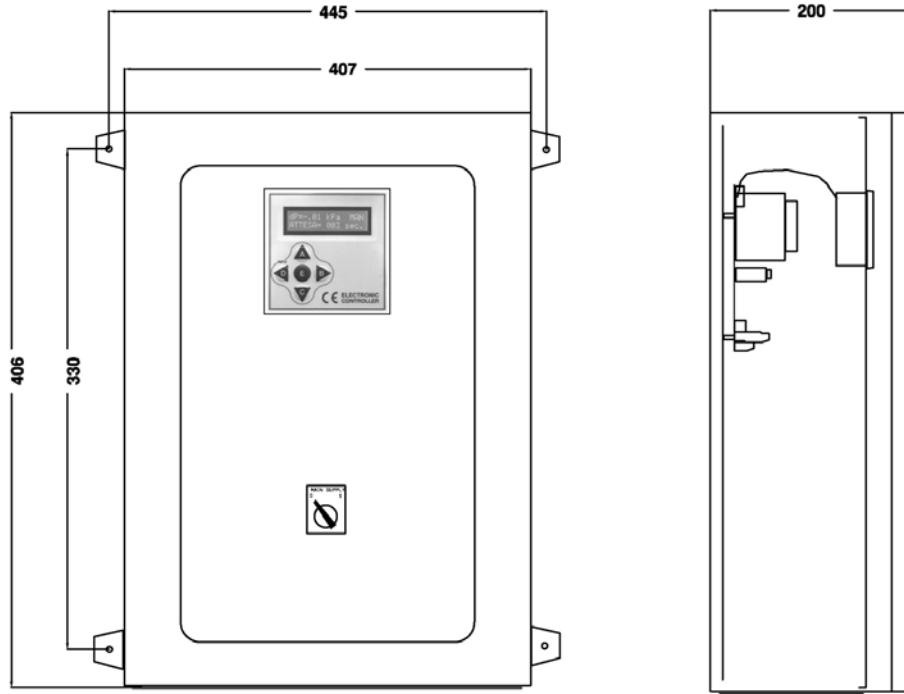


### Size 2



## DIMENSIONS (mm), WEIGHTS

### Size 3



WIRING DIAGRAM

