

## Features

- General Purpose Enclosure
- 3-way operation allows diversion of flow from commercial/industrial oil burners to recirculatory system
- Zero differential

## Fluid

Fuel Oil up to 1500 SSU

## Construction

Valve Parts in Contact with Fluids	
Body	Brass
Seals and Disc	FKM
Core and Plugnut	430F Stainless Steel
Springs	302 Stainless Steel
Shading Coil	Copper

## Electrical

Standard Coil and Class of Insulation	Watt Rating and Power Consumption			Ambient Temp. °F	Spare Coil Family	
	AC				General Purpose	Explosionproof
	Watts	VA Holding	VA Inrush		AC	AC
F	15.4	27	160	32 to 115	099257	-

Standard Voltages: 24, 120, 240 volts AC, 60 Hz (or 110, 220 volts AC, 50 Hz).

## Solenoid Enclosures

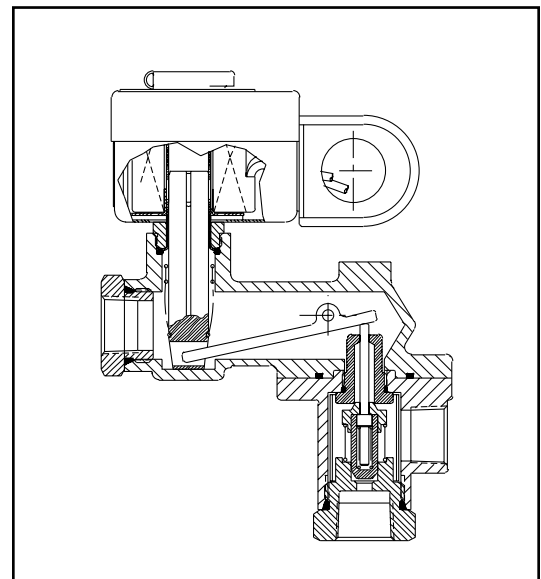
**Standard:** RedHat Type 1 General Purpose.

**Optional:** RedHat Type 3R Rainproof (prefix "R").

## Valve Response Time

**Opening Time:** Less than 1 second

**Closing Time:** Less than 1 second



## Approvals

UL listed Shutoff Valve.

FM Approved Oil Safety Shutoff Valves

CSA Electrically Operated Valves

**Specifications (English units)**

Pipe Size (in)	Orifice Size (in)	Cv Flow Factor	Operating Pressure Differential (psi) Fuel Oil up to 1500 SSU ②		Max. Fluid Temp. °F		Inlet Position ①	Catalog Number	Const. Ref.	Agency			Wattage AC
			Min.	Max.	Fluid	Ambient				UL	FM	CSA	
<b>COMBUSTION (Fuel Oil) - NORMALLY CLOSED</b>													
3/8	1/4	1.0	0	100	265	115	A	8377 001	1	○	○	○	15.4
3/8	1/4	1.0	0	100	265	115	B	8377 003	1	○	○	○	15.4
3/8	1/4	1.0	0	100	265	115	C	8377 005	1	○	○	○	15.4
3/8	1/4	1.0	0	100	265	115	D	8377 013	1	○	○	○	15.4
1/2	1/4	1.0	0	100	265	115	A	8377 007	1	○	○	○	15.4
1/2	1/4	1.0	0	100	265	115	B	8377 009	1	○	○	○	15.4
1/2	1/4	1.0	0	100	265	115	C	8377 011	1	○	○	○	15.4
1/2	1/4	1.0	0	100	265	115	D	8377 015	1	○	○	○	15.4

○ = Safety Shutoff Valve. ① Before ordering, refer to Diagram A below for description of inlet positions.  
 ② Valve intended for burner control with low pressure drop when energized. For other applications, be sure pressure drop when energized does not exceed 65 psi.

**Specifications (Metric units)**

Pipe Size (in)	Orifice Size (mm)	Kv Flow (m³/hr)	Operating Pressure Differential (bar) Fuel Oil up to 1500 SSU ②		Max. Fluid Temp. °C		Inlet Position ①	Catalog Number	Const. Ref.	Agency			Wattage AC
			Min.	Max.	Fluid	Ambient				UL	FM	CSA	
<b>COMBUSTION (Fuel Oil) - NORMALLY CLOSED</b>													
3/8	6	0.9	0	6.9	129	46	A	8377 001	1	○	○	○	15.4
3/8	6	0.9	0	6.9	129	46	B	8377 003	1	○	○	○	15.4
3/8	6	0.9	0	6.9	129	46	C	8377 005	1	○	○	○	15.4
3/8	6	0.9	0	6.9	129	46	D	8377 013	1	○	○	○	15.4
1/2	6	0.9	0	6.9	129	46	A	8377 007	1	○	○	○	15.4
1/2	6	0.9	0	6.9	129	46	B	8377 009	1	○	○	○	15.4
1/2	6	0.9	0	6.9	129	46	C	8377 011	1	○	○	○	15.4
1/2	6	0.9	0	6.9	129	46	D	8377 015	1	○	○	○	15.4

○ = Safety Shutoff Valve. ① Before ordering, refer to Diagram A below for description of inlet positions.  
 ② Valve intended for burner control with low pressure drop when energized. For other applications, be sure pressure drop when energized does not exceed 4.5 bar.

**Dimensions inches (mm)**

**Const. Ref. 1**

**Flow Diagrams**

**Diagram A**

**Must be mounted with solenoid vertical and upright.**

**COMBUSTION**