

Features

- Increase in DC pressure ratings to AC levels on all products (up to a 500% improvement)
- Lower power operation
- Voltage ranging
- Built-in surge suppression
- Elimination of AC hum
- Increase in AC and DC operating temperatures
- Low solenoid temperature rise
- Longer coil life due to lower operating temperatures and electrical surge suppression
- Solenoid approvals to UL, CSA, and CE directives
- Available with Class I, Division 2 coils (EE prefix)
- RoHS 2 Compliant

Nominal Ambient Temp. Ranges

14°F to 140°F (-10°C to 60°C)

For 8262/8263/8314 Series: -13°F to 140°F (-25°C to 60°C)

How to order

Find the valve that you are looking for in the provided specifications tables.

The tables contain the following information designed to help you in making your selection:

Pipe Size (in)	Orifice Dia. (in)	Cv Flow	Operating Pressure Differential (psi)				Max Fluid Temp. °F	Brass ①	Const. Ref.	Agency		Stainless Steel	Const. Ref.	Agency		Wattage		Approx. Shipping Weight (lbs.)
			Min.	Max.						UL	UL			DC	AC/DC			
				Air-Inert Gas	Water	Light Oil @ 300 SSU												
1/2	5/8	4	0	150	150	-	180	8210P094	4	○	-	-	-	1.2	1.5	3.2		

① When ordering a valve product, specify the ASCO base catalog number (Ex. **8210P094**). This number will always be 8 digits long.

Choose one of the three operating voltage ranges (100-240V/50-60Hz/DC, 24-120V/50-60Hz/DC or 12-24/DC) and add it to the base catalog number (Ex. 8210P094 **24-120V/50-60Hz/DC**).

If you want to enhance the product with one or more of the options allowed in the Optional Features Chart for that catalog number, please add the appropriate prefix or suffix (as shown):

Pipe Size (in)	Orifice Dia. (in)	Solenoid Options ②	Base Catalog Number		Resilient Materials ③								Other ③		Standard Rebuild Kit ④	
		Class I, Division 2 Coil	Brass	Stainless Steel	NBR	FKM	EPDM	CR	Oxygen Service	PTFE	Urethane	Vacuum	Manual Operator	Mounting Bracket	Brass	Stainless Steel
1/2	5/8	EE	8210P094	-	●	V	E	J	N	-	-	VH	MO	MB	322670	-

② Optional Class I, Division 2 solenoid (Ex. **EE8210P094** 24-120V/50-60Hz/DC)

③ If an FKM elastomer and manual operator are required, add VMO to the back of the base catalog number. (Ex. 8210P094**VMO** 24-120V/50-60Hz/DC)

④ When ordering a rebuild kit for a valve, supply the rebuild kit number as shown in the table. (Ex. 322670) When ordering a rebuild kit for a valve with a suffix, add the suffix to the appropriate standard rebuild kit. (Ex. The rebuild kit for the above valve with FKM is 322670-V)

All constructions are available with prefix EE for Class I, Division 2 requirements.

When ordering a replacement coil, select from the following:

Voltage Range	Valve Prefix	Replacement Coil Part Number
100-240V/50-60Hz/DC	-	250404-605-*
24-120V/50-60Hz/DC	-	250404-606-*
12-24/DC	-	250404-607-*
100-240V/50-60Hz/DC	EE	250504-605-*
24-120V/50-60Hz/DC	EE	250504-606-*
12-24/DC	EE	250504-607-*

Solenoid Enclosures

Standard: Watertight, Types 1, 2, 3, 3S, 4, and 4X.

Optional: Class I, Division 2 for Hazardous Locations and Watertight, Types 3, 3S, 4, 4X. (To order, add prefix "EE" to catalog number.)

Note

See Engineering Section for valve parts in contact with fluids and additional information.



ELECTRONICALLY ENHANCED

3-Way Features

- Three-way (3/2) Next Generation solenoid valves have three ports and two orifices. When one orifice is open, the other is closed
- Control of air, water, light oil, and other non-corrosive media
- Normally closed (pressure to cylinder port when energized) operation
- Normally open (cylinder port exhausts when energized) operation
- Universal operation (can function as normally open, normally closed, diverter of fluid flow, or selector of 2 fluid sources configurable by piping)
- Pipe sizes – 1/4 to 3/4 inch

3-Way Specifications (English units)

Pipe Size (in)	Orifice Dia. (in)	Cv Flow	Operating Pressure Differential (psi)				Max. Fluid Temp. °F	Brass	Const. Ref.	Agency		Const. Ref.	Wattage		Approx. Shipping Weight (lbs.)	
			Min.	Max.						UL	Stainless Steel		DC	AC/DC		
				Air-Inert Gas	Water	Light Oil @ 300 SSU										
General Service - Normally Closed																
1/8	3/64	0.05 ③	0	300	300	300 ⑦	200 ⑥	8314R031	1	●	8314R037	1	●	1.2 ⑧	1.5 ⑨	1.7
1/8	3/32	0.15 ④	0	205	205	190 ⑦	200 ⑥	8314R032	1	●	8314R038	1	●			1.7
1/8	1/8	0.25 ④	0	145	145	100 ⑦	200 ⑥	8314R033	1	●	8314R039	1	●			1.7
1/4	3/64	0.05 ③	0	300	300	300 ⑦	200 ⑥	8314R034	2	●	8314R068	2	●			1.8
1/4	3/32	0.15 ④	0	205	205	190 ⑦	200 ⑥	8314R035	2	●	8314R121	2	●			1.8
1/4	1/8	0.25 ④	0	145	145	100 ⑦	200 ⑥	8314R036	2	●	8314R126	2	●			1.8
1/4	5/32	0.50 ④	0	75	75	75 ⑦	200 ⑥	8314R130	2	●	8314R230	2	●			1.8
1/4	7/32	0.70 ④	0	40	40	40 ⑦	200 ⑥	8314R131	2	●	8314R231	2	●			1.8
1/4	9/32	0.85 ④	0	25	25	25 ⑦	200 ⑥	8314R132	2	●	8314R232	2	●			1.8
1/4	5/64	0.12	0	232	232	232	180	8320P182	3	●	-	-	-			2.5
1/4	7/64	0.23	0	150	150	150	180	8320P184	3	●	-	-	-			2.5
1/4	5/32	0.35	0	75	75	75	180	8320P186	3	●	-	-	-			2.5
1/4	3/32 ①	0.2 ①	5 ⑤	150	150	100	180	8317P035	4	●	-	-	-			2.7
1/4	9/32 ②	0.8 ②	10	200	200	200	180	8321P001	5	●	-	-	-			3.8
3/8	9/32 ②	0.8 ②	10	200	200	200	180	8321P002	5	●	-	-	-	3.8		
3/8	5/8	2.5	10	250	250	-	180	8316P054	6	●	-	-	-	4.9		
1/2	5/8	3.2	10	250	250	-	180	8316P064	6	●	-	-	-	4.9		
3/4	11/16	4.8	10	250	250	-	180	8316P074	7	●	-	-	-	5.1		
NAMUR Mount - 3/2 Normally Closed																
1/4	3/32	0.12	-	150	-	-	180	8320P704	9	●	8320P714	9	●	1.2 ⑧	1.5 ⑨	3.2
General Service - Normally Open																
1/8	3/64	0.05 ③	0	300	300	300 ⑦	200 ⑥	8314R049	1	●	8314R055	1	●	1.2 ⑧	1.5 ⑨	1.7
1/8	3/32	0.15 ④	0	175	175	175 ⑦	200 ⑥	8314R050	1	●	8314R056	1	●			1.7
1/8	1/8	0.25 ④	0	160	160	160 ⑦	200 ⑥	8314R051	1	●	8314R057	1	●			1.7
1/4	3/64	0.05 ③	0	300	300	300 ⑦	200 ⑥	8314R052	2	●	8314R069	2	●			1.8
1/4	3/32	0.15 ④	0	175	175	175 ⑦	200 ⑥	8314R053	2	●	8314R122	2	●			1.8
1/4	1/8	0.25 ④	0	160	160	160 ⑦	200 ⑥	8314R054	2	●	8314R070	2	●			1.8
1/4	5/32	0.50 ④	0	150	150	150 ⑦	200 ⑥	8314R133	2	●	8314R233	2	●			1.8
1/4	7/32	0.70 ④	0	100	100	100 ⑦	200 ⑥	8314R134	2	●	8314R234	2	●			1.8
1/4	9/32	0.85 ④	0	65	65	65 ⑦	200 ⑥	8314R135	2	●	8314R235	2	●			1.8
1/8	3/64	0.18	-	350	350	350	180	8320P136	8	●	8320P146	8	●			2.5
1/4	1/32	0.05	-	790	825	825	180	8320P190	3	●	-	-	-			2.5
1/4	5/64	0.12	0	210	210	210	180	8320P192	3	●	-	-	-			2.5
1/4	7/64	0.23	0	150	150	150	180	8320P194	3	●	-	-	-			2.5
General Service - Universal Operation																
1/8	3/64	0.05 ③	0	200	200	200 ⑦	200 ⑥	8314R041	1	●	8314R042	1	●	1.2 ⑧	1.5 ⑨	1.7
1/8	3/32	0.15 ④	0	105	85	60 ⑦	200 ⑥	8314R043	1	●	8314R044	1	●			1.7
1/8	1/8	0.25 ④	0	70	70	40 ⑦	200 ⑥	8314R045	1	●	8314R040	1	●			1.7
1/4	3/64	0.05 ③	0	200	200	200 ⑦	200 ⑥	8314R006	2	●	8314R123	2	●			1.8
1/4	3/32	0.15 ④	0	105	85	60 ⑦	200 ⑥	8314R007	2	●	8314R120	2	●			1.8
1/4	1/8	0.25 ④	0	70	70	40 ⑦	200 ⑥	8314R008	2	●	8314R124	2	●			1.8
1/4	5/32	0.50 ④	0	35	35	35 ⑦	200 ⑥	8314R127	2	●	8314R227	2	●			1.8
1/4	7/32	0.70 ④	0	18	18	18 ⑦	200 ⑥	8314R128	2	●	8314R228	2	●			1.8
1/4	9/32	0.85 ④	0	10	10	10 ⑦	200 ⑥	8314R129	2	●	8314R229	2	●			1.8
1/4	5/64	0.12	0	116	116	116	180	8320P172	3	●	-	-	-			2.5
1/4	7/64	0.23	0	60	60	60	180	8320P174	3	●	-	-	-			2.5
1/4	5/32	0.35	0	35	35	35	180	8320P176	3	●	-	-	-			2.5

● = General Purpose Valve. ① 1/4" exhaust orifice with 0.73 Cv flow; ② 11/32" exhaust orifice with 1.20 Cv flow; ③ 3/64" exhaust orifice with 0.06 Cv flow. ④ 3/32" exhaust orifice with 0.20 Cv flow. ⑤ 10 psi minimum for light oils. ⑥ Max. fluid temp. 180°F for light oil @ 45 SSU. ⑦ Pressure rating for light oil @ 45 SSU. ⑧ 12-24V DC. ⑨ 24-120V AC/DC, 100-240V AC/DC.

ELECTRONICALLY ENHANCED

3-Way Specifications (Metric units)

Pipe Size (in)	Orifice Dia. (mm)	Kv Flow Factor (m ³ /h)	Operating Pressure Differential (bar)				Max. Fluid Temp. °C	Brass	Const. Ref.	Agency		Stainless Steel	Const. Ref.	Agency		Wattage		Approx. Shipping Weight (kgs.)		
			Min.	Max.						UL	UL			DC	AC/DC					
				Air-Inert Gas	Water	Light Oil @ 300 SSU														
General Service - Normally Closed																				
1/8	1.2	0.04 ③	0	21	21	21 ⑦	93 ⑥	8314R031	1	●	8314R037	1	●	1.2 ⑧	1.5 ⑨			0.77		
1/8	2.4	0.13 ④	0	14	14	13 ⑦	93 ⑥	8314R032	1	●	8314R038	1	●			0.77				
1/8	3.2	0.22 ④	0	10	10	7 ⑦	93 ⑥	8314R033	1	●	8314R039	1	●			0.77				
1/4	1.2	0.04 ③	0	21	21	21 ⑦	93 ⑥	8314R034	2	●	8314R068	2	●			0.81				
1/4	2.4	0.13 ④	0	14	14	13 ⑦	93 ⑥	8314R035	2	●	8314R121	2	●			0.81				
1/4	3.2	0.22 ④	0	10	10	7 ⑦	93 ⑥	8314R036	2	●	8314R126	2	●			0.81				
1/4	4.0	0.43 ④	0	5.2	5.2	5.2 ⑦	93 ⑥	8314R130	2	●	8314R230	2	●			0.81				
1/4	5.6	0.60 ④	0	3	3	3 ⑦	93 ⑥	8314R131	2	●	8314R231	2	●			0.81				
1/4	7.1	0.73 ④	0	2	2	2 ⑦	93 ⑥	8314R132	2	●	8314R232	2	●			0.81				
1/4	1.9	0.1	0	16	16	16	82	8320P182	3	●	-	-	-			1.1				
1/4	2.7	0.2	0	10	10	10	82	8320P184	3	●	-	-	-			1.1				
1/4	3.9	0.3	0	5	5	5	82	8320P186	3	●	-	-	-			1.1				
1/4	2.3 ①	0.17 ①	0.3 ④	10	10	7	82	8317P035	4	●	-	-	-			1.2				
1/4	7.1 ②	0.7 ②	0.7	14	14	14	82	8321P001	5	●	-	-	-			1.7				
3/8	7.1 ②	0.7 ②	0.7	14	14	14	82	8321P002	5	●	-	-	-			1.7				
3/8	3.3	2.1	0.7	17	17	-	82	8316P054	6	●	-	-	-			2.2				
1/2	3.3	2.7	0.7	17	17	-	82	8316P064	6	●	-	-	-			2.2				
3/4	17	4.1	0.7	17	17	-	82	8316P074	7	●	-	-	-			2.3				
NAMUR Mount - 3/2 Normally Closed																				
1/4	2.4	0.1	-	10	-	-	82	8320P704	9	●	8320P714	9	●	1.2 ⑧	2			1.5		
General Service - Normally Open																				
1/8	1.2	0.04 ③	0	21	21	21 ⑦	93 ⑥	8314R049	1	●	8314R055	1	●	1.2 ⑧	1.5 ⑨			0.77		
1/8	2.4	0.13 ④	0	12	12	12 ⑦	93 ⑥	8314R050	1	●	8314R056	1	●			0.77				
1/8	3.2	0.22 ④	0	11	11	11 ⑦	93 ⑥	8314R051	1	●	8314R057	1	●			0.77				
1/4	1.2	0.04 ③	0	21	21	21 ⑦	93 ⑥	8314R052	2	●	8314R069	2	●			0.81				
1/4	2.4	0.13 ④	0	12	12	12 ⑦	93 ⑥	8314R053	2	●	8314R122	2	●			0.81				
1/4	3.2	0.22 ④	0	11	11	11 ⑦	93 ⑥	8314R054	2	●	8314R070	2	●			0.81				
1/4	4.0	0.43 ④	0	10	10	10 ⑦	93 ⑥	8314R133	2	●	8314R233	2	●			0.81				
1/4	5.6	0.60 ④	0	6.8	6.8	6.8 ⑦	93 ⑥	8314R134	2	●	8314R234	2	●			0.81				
1/4	7.1	0.73 ④	0	4.5	4.5	4.5 ⑦	93 ⑥	8314R135	2	●	8314R235	2	●			0.81				
1/8	1.2	0.15	0	24	24	24	82	8320P136	8	●	8320P146	8	●			1.1				
1/4	0.8	0.04	0	54	57	57	82	8320P190	3	●	-	-	-			1.1				
1/4	2	0.1	0	14	14	14	82	8320P192	2	●	-	-	-			1.1				
1/4	2.7	0.2	0	10	10	10	82	8320P194	2	●	-	-	-			1.1				
General Service - Universal Operation																				
1/8	1.2	0.04 ③	0	14	14	14 ⑦	93 ⑥	8314R041	1	●	8314R042	1	●			1.2 ⑧	1.5 ⑨			0.77
1/8	2.4	0.13 ④	0	7	6	4 ⑦	93 ⑥	8314R043	1	●	8314R044	1	●					0.77		
1/8	3.2	0.22 ④	0	5	5	3 ⑦	93 ⑥	8314R045	1	●	8314R040	1	●					0.77		
1/4	1.2	0.04 ③	0	14	14	14 ⑦	93 ⑥	8314R006	2	●	8314R123	2	●					0.81		
1/4	2.4	0.13 ④	0	7	6	4 ⑦	93 ⑥	8314R007	2	●	8314R120	2	●					0.81		
1/4	3.2	0.22 ④	0	5	5	3 ⑦	93 ⑥	8314R008	2	●	8314R124	2	●	0.81						
1/4	4.0	0.43 ④	0	2.5	2.5	2.5 ⑦	93 ⑥	8314R127	2	●	8314R227	2	●	0.81						
1/4	5.6	0.60 ④	0	1.5	1.5	1.5 ⑦	93 ⑥	8314R128	2	●	8314R228	2	●	0.81						
1/4	7.1	0.73 ④	0	0.7	0.7	0.7 ⑦	93 ⑥	8314R129	2	●	8314R229	2	●	0.81						
1/4	2	0.1	0	8	8	8	82	8320P172	3	●	-	-	-	1.1						
1/4	2.7	0.2	0	4	4	4	82	8320P174	3	●	-	-	-	1.1						
1/4	3.9	0.3	0	2	2	2	82	8320P176	3	●	-	-	-	1.1						

● = General Purpose Valve. ① 6.3 mm exhaust orifice with 0.63 Kv flow; ② 8.7 mm exhaust orifice with 1.0 Kv flow; ③ 1.3 mm exhaust orifice with 0.05 Kv flow.
④ 2.5 mm exhaust orifice with 0.17 Kv flow. ⑤ 0.7 bar minimum for light oils. ⑥ Max. fluid temp. 82°C for light oil @ 45 SSU. ⑦ Pressure rating for light oil @ 45 SSU.
⑧ 12-24V DC. ⑨ 24-120V AC/DC, 100-240V AC/DC.

ELECTRONICALLY ENHANCED

3-Way Optional Features Chart

Pipe Size (in)	Orifice Dia. (in)	Base Catalog Number		Resilient Materials and Suffix Options									Other		Standard Rebuild Kit	
		Brass	Stainless Steel	Silicone Free	NBR	FKM	EPDM	CR	Oxygen Service	PTFE ①	Urethane	Vacuum	Manual Operator ③	Mounting Bracket	Brass	Stainless Steel
1/8	3/64	8314R031	8314R037	SF	●	V ②	-	-	N	-	-	-	MS	MB	323957	323959
1/8	3/64	8314R041	8314R042	SF	●	V ②	-	-	N	-	-	-	MS	MB	323961	323963
1/8	3/64	8314R049	8314R055	SF	●	V ②	-	-	N	-	-	-	MS	MB	323969	323971
1/8	3/32	8314R032	8314R038	SF	●	V ②	-	-	N	-	-	-	MS	MB	323958	323960
1/8	3/32	8314R043	8314R044	SF	●	V ②	-	-	N	-	-	-	MS	MB	323966	323968
1/8	3/32	8314R050	8314R056	SF	●	V ②	-	-	N	-	-	-	MS	MB	323970	323972
1/8	1/8	8314R033	8314R039	SF	●	V ②	-	-	N	-	-	-	MS	MB	323958	323960
1/8	1/8	8314R045	8314R040	SF	●	V ②	-	-	N	-	-	-	MS	MB	323966	323968
1/8	1/8	8314R051	8314R057	SF	●	V ②	-	-	N	-	-	-	MS	MB	323970	323972
1/8	3/64	8320P136	8320P146	⑤	●	V	E	J	N	T	-	-	MO/MS	MB	322715	322718
1/4	1/32	8320P190	-	⑤	●	V	E	J	N	T	-	-	MO/MS	MB	322744	-
1/4	3/64	8314R006	8314R123	SF	●	V ②	-	-	N	-	-	-	MS	MB	323961	323963
1/4	3/64	8314R034	8314R068	SF	●	V ②	-	-	N	-	-	-	MS	MB	323957	323959
1/4	3/64	8314R052	8314R069	SF	●	V ②	-	-	N	-	-	-	MS	MB	323969	323971
1/4	5/64	8320P172	-	⑤	●	V	E	J	N	T	-	-	MO/MS ④	MB	322721	-
1/4	5/64	8320P182	-	⑤	●	V	E	J	N	T	-	-	MO/MS	MB	322722	-
1/4	5/64	8320P192	-	⑤	●	V	E	J	N	T	-	-	MO/MS ④	MB	322723	-
1/4	3/32	8314R007	8314R120	SF	●	V ②	-	-	N	-	-	-	MS	MB	323966	323968
1/4	3/32	8314R035	8314R121	SF	●	V ②	-	-	N	-	-	-	MS	MB	323958	323960
1/4	3/32	8314R053	8314R122	SF	●	V ②	-	-	N	-	-	-	MS	MB	323970	323972
1/4	3/32	8317P035	-	⑤	●	V	-	-	N	-	-	-	-	-	322919	-
1/4	3/32	8320P704	8320P714	⑤	●	V	E	J	N	T	-	-	MO/MS	-	322821	322823
1/4	7/64	8320P174	-	⑤	●	V	E	J	N	T	-	-	MO/MS ④	MB	322721	-
1/4	7/64	8320P184	-	⑤	●	V	E	J	N	T	-	-	MO/MS	MB	322722	-
1/4	7/64	8320P194	-	⑤	●	V	E	J	N	T	-	-	MO/MS ④	MB	322723	-
1/4	1/8	8314R008	8314R124	SF	●	V ②	-	-	N	-	-	-	MS	MB	323966	323968
1/4	1/8	8314R036	8314R126	SF	●	V ②	-	-	N	-	-	-	MS	MB	323958	323960
1/4	1/8	8314R054	8314R070	SF	●	V ②	-	-	N	-	-	-	MS	MB	323970	323972
1/4	5/32	8314R127	8314R227	SF	●	V ②	-	-	N	-	-	-	MS	MB	323966	323968
1/4	5/32	8314R130	8314R230	SF	●	V ②	-	-	N	-	-	-	MS	MB	323958	323960
1/4	5/32	8314R133	8314R233	SF	●	V ②	-	-	N	-	-	-	MS	MB	323970	323972
1/4	5/32	8320P176	-	⑤	●	V	E	J	N	T	-	-	MO/MS ④	MB	322721	-
1/4	5/32	8320P186	-	⑤	●	V	E	J	N	T	-	-	MO/MS	MB	322722	-
1/4	7/32	8314R128	8314R228	SF	●	V ②	-	-	N	-	-	-	MS	MB	323966	323968
1/4	7/32	8314R131	8314R231	SF	●	V ②	-	-	N	-	-	-	MS	MB	323958	323960
1/4	7/32	8314R134	8314R234	SF	●	V ②	-	-	N	-	-	-	MS	MB	323970	323972
1/4	9/32	8314R129	8314R229	SF	●	V ②	-	-	N	-	-	-	MS	MB	323966	323968
1/4	9/32	8314R132	8314R232	SF	●	V ②	-	-	N	-	-	-	MS	MB	323958	323960
1/4	9/32	8314R135	8314R235	SF	●	V ②	-	-	N	-	-	-	MS	MB	323970	323972
1/4	9/32	8321P001	-	⑤	●	V	E	-	-	-	-	-	MO/MS	-	322688	-
3/8	9/32	8321P002	-	⑤	●	V	E	-	-	-	-	-	MO/MS	-	322688	-
3/8	5/8	8316P054	-	⑤	●	V	E	J	N	-	-	-	MO	MB	322690	-
1/2	5/8	8316P064	-	⑤	●	V	E	J	N	-	-	-	MO	MB	322690	-
3/4	11/16	8316P074	-	⑤	●	V	E	J	N	-	-	-	MO	MB	322692	-

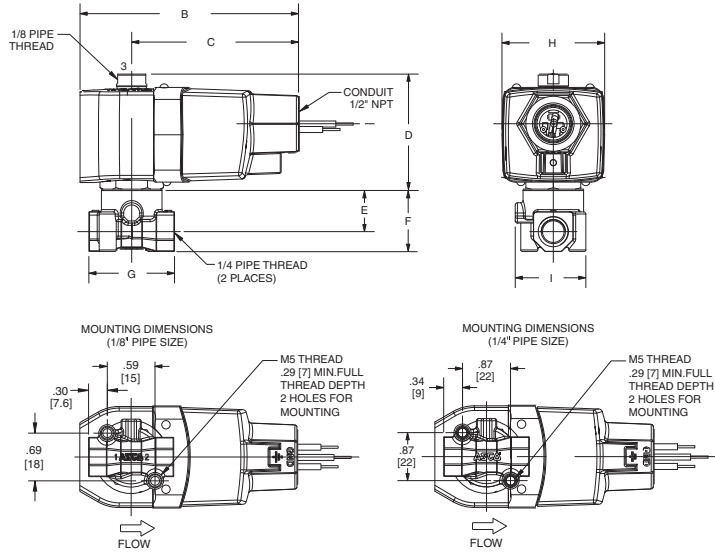
● = Standard. Other options may be available. All option combinations may not be available. Please consult your local ASCO contact. ① Pressure rating reduced by 25%.
② Upper disc is FKM. ③ Not available with PTFE resilient materials. ④ Pressure rating limited to 100 psi (6.9 bar) for MO constructions. ⑤ Consult factory.

ELECTRONICALLY ENHANCED

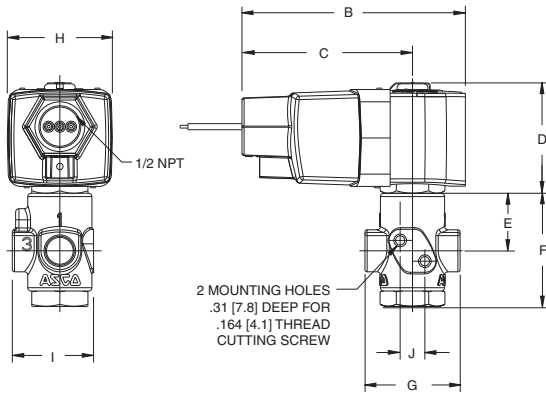
Dimensions: inches (mm)

Const. Ref.		B	C	D	E	F	G	H	I	J
1	in	3.98	3.04	2.09	0.69	1.00	1.19	1.87	1.24	-
	mm	101	77	53	18	25	30	48	32	-
2	in	3.98	3.04	2.09	0.79	1.19	1.56	1.87	1.29	-
	mm	101	77	53	20	30	40	48	33	-
3	in	3.98	3.04	2.00	1.02	2.02	1.69	1.87	1.45	0.44
	mm	101	77	51	26	51	43	48	37	11
4	in	3.98	3.04	2.00	0.57	1.07	2.00	1.87	2.05	-
	mm	101	77	51	14	27	50	48	52	-
5	in	3.98	3.04	2.00	1.00	2.03	1.31	1.87	3.12	1.00
	mm	101	77	51	25	52	33	48	79	25
6	in	3.98	3.04	2.00	2.12	3.77	2.76	1.87	4.29	-
	mm	101	77	51	54	96	70	48	109	-
7	in	3.98	3.04	2.00	2.5	4.19	-	1.87	3.38	-
	mm	101	77	51	64	106	-	48	86	-
8	in	3.98	3.04	2.00	0.67	1.64	1.19	1.87	-	1.81
	mm	101	77	51	17	42	30	48	-	46

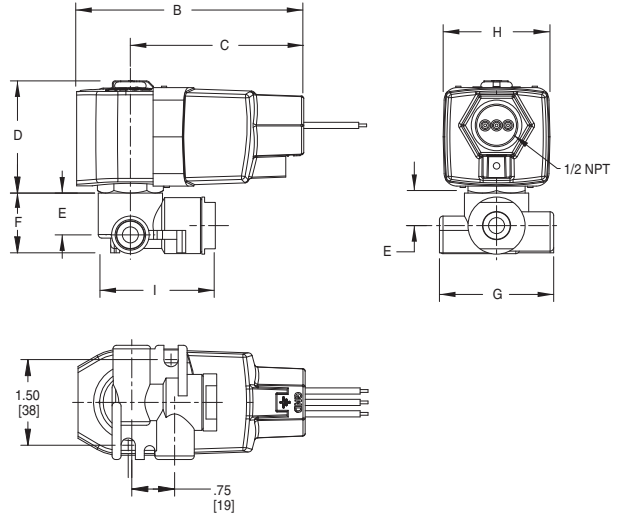
Const. Ref. 1, 2



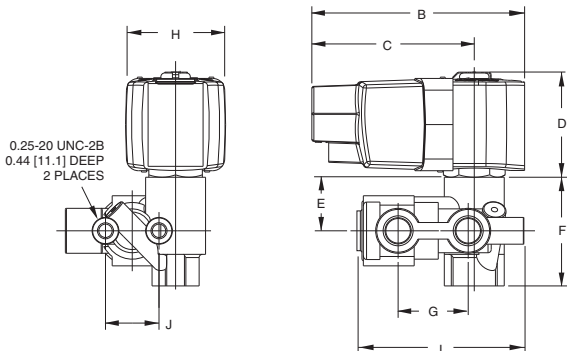
Const. Ref. 3



Const. Ref. 4



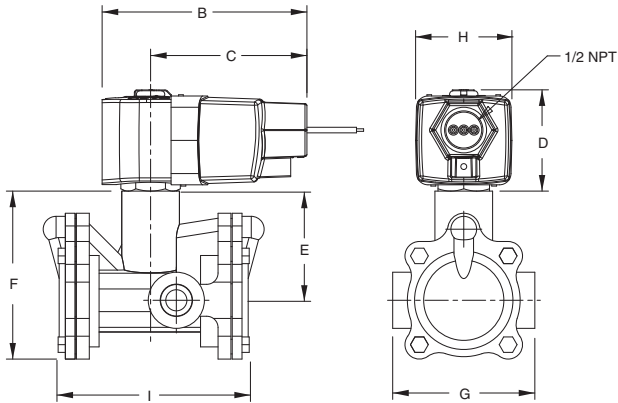
Const. Ref. 5



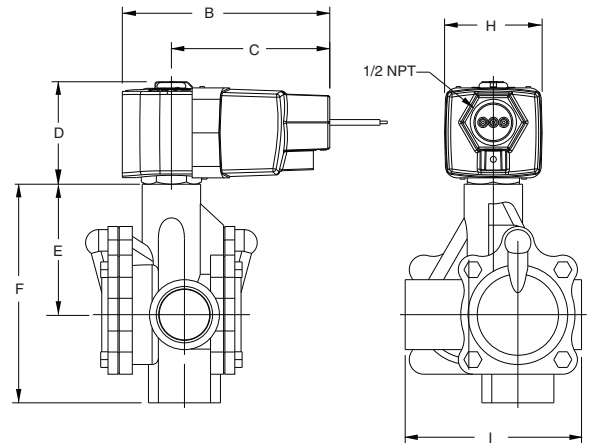
ELECTRONICALLY
 ENHANCED

Dimensions: inches (mm)

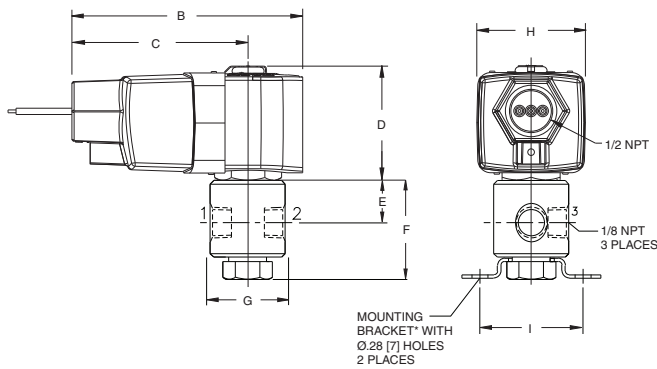
Const. Ref. 6



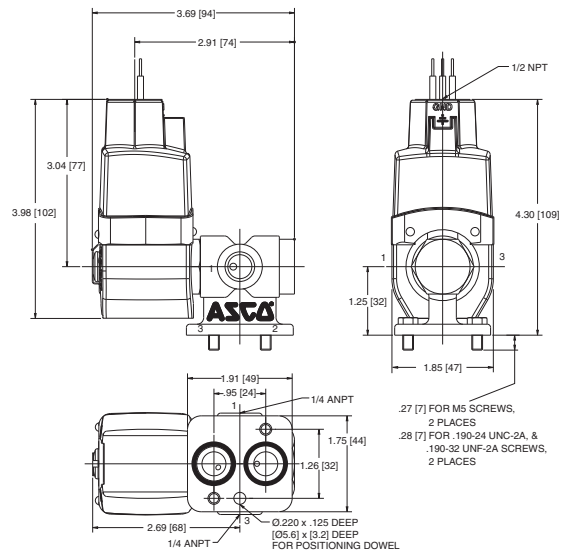
Const. Ref. 7



Const. Ref. 8



Const. Ref. 9



**ELECTRONICALLY
ENHANCED**