



Intrinsically Safe Manual Reset Valves

No Voltage Release
Air and Inert Gas • Brass or Stainless
Steel Bodies • 1/4" to 3/4" NPT

3/2 • 4/2
SERIES
ISMR

Features

- Intrinsically safe solenoid. When energized, holds the manual reset mechanism in the latched position
- Normally closed, normally open, or universal constructions
- Valve operates when the solenoid has been energized and the lever latched while holding in the yellow button
- Valve trips when power is interrupted. Valve can be manually cycled, but must be manually reset for automatic operation
- Designed solely for installation in intrinsically safe areas, with properly approved and sized current and voltage-limiting safety barriers
- Acceptable for use in hazardous locations as classified by the National Electrical Code: Classes I, II, and III, Division 1, including Groups A through G

Construction

Valve Parts in Contact with Fluids		
Body	Brass	Stainless Steel
Seals and Disc	NBR	
Core and Plugnut	430F Stainless Steel	
Core Springs	302 Stainless Steel	
Core Tube	305 Stainless Steel	
Pilot Seat Cartridge	CA (Series WPIS8308A041, -2, -3)	
Rider Rings	PTFE	
Spring Retainer	CA	

Electrical

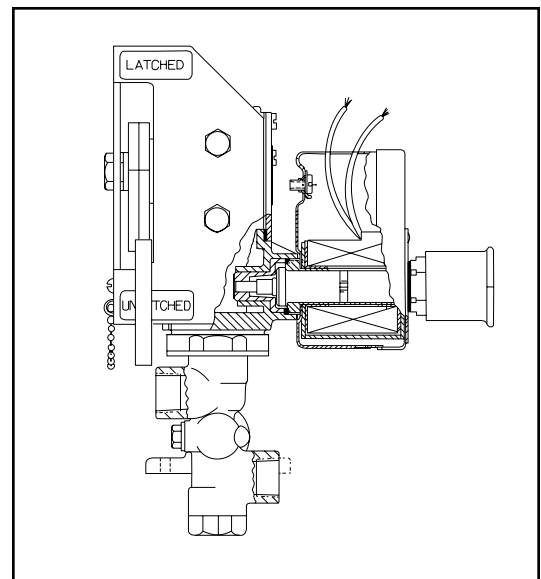
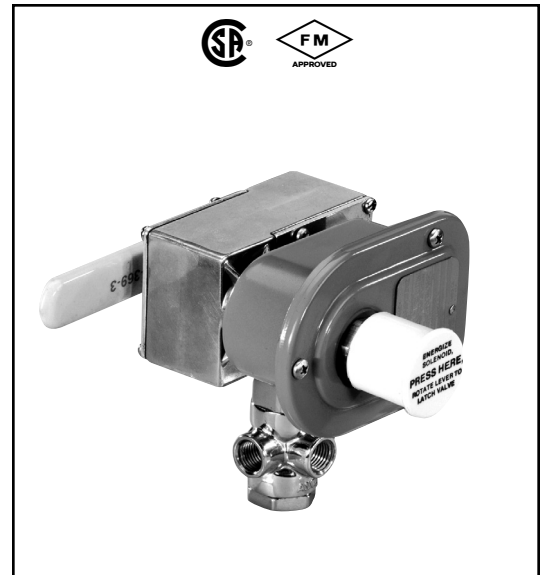
Standard Voltages: 24 volts DC		
Coil: Continuous duty molded Class A.		
Minimum Operating Current: 0.023 amps		
Parameters	Groups A-D	Groups C-D
Entity	V max - 28 VDC	V max - 34 VDC
	I max - 92 mA	I max - 125 mA
	Capacitance = 0	Capacitance = 0
	Inductance = 0	Inductance = 0
IMPORTANT: Electrical parameters are unique to the manual reset line and will differ from other Intrinsically Safe valve's electrical data.		

Enclosure

Standard: RedHat Type 4, Watertight Splice Box enclosure.

Optional: No standard options are available.

Consult local sales office for your needs.



SPECIAL SERVICE PILOT

Nominal Ambient Temp. Ranges

-4°F to 200°F (-20°C to 93°C), as indicated.

Refer to Engineering Section for details.

Approvals

FM approved under J. I. 3W2A7.AX (3610).

CSA certified under File LR-13976.

FM Nonincendive approved for Class 1, Division 2.

Refer to Engineering Section for details.

Specifications (English units)

Pipe Size (in)	Orifice Size (in)	Cv Flow Factor	Operating Pressure Differential (psi)		Max. Fluid and Ambient Temp. °F	Catalog Number	Const. Ref.
			Air-Inert Gas				
			Min.	Max.			
3/2 UNIVERSAL OPERATION, Brass Body with NBR Disc or Stainless Steel Seats and Discs ②							
1/4	11/64	.38	0	125	180	WPIS8308B040	4
1/4	1/4	.45	0	125	180	WPIS8308044 ②	1
3/8	1/4	.45	0	125	180	WPIS8308045 ②	1
1/2	5/16	.75	0	125	180	WPIS8308046 ②	2
3/2 NORMALLY CLOSED OR NORMALLY OPEN, Brass Body with NBR Disc							
3/8	5/8	3	10	250	180	WPIS8308C041 ①	5
1/2	5/8	4	10	250	180	WPIS8308C042 ①	5
3/4	11/16	5.5	10	250	180	WPIS8308C043 ①	6
3/2 UNIVERSAL OPERATION, Stainless Steel Body with Stainless Steel Seats and Discs							
1/2	5/16	.75	0	125	200	WPIS8308047	3
4/2 OPERATION, Brass Body with PTFE and FPM Seats and Discs							
1/4	3/16	.80	0	250	160	WPIS8408B006	7
3/8	3/16	.80	0	250	160	WPIS8408B007	7

① For Normally Closed operation, add suffix "F" to catalog number; for Normally Open operation, add suffix "G" to catalog number.
 ② Supplied with stainless steel seats and discs.

SPECIAL SERVICE PILOT

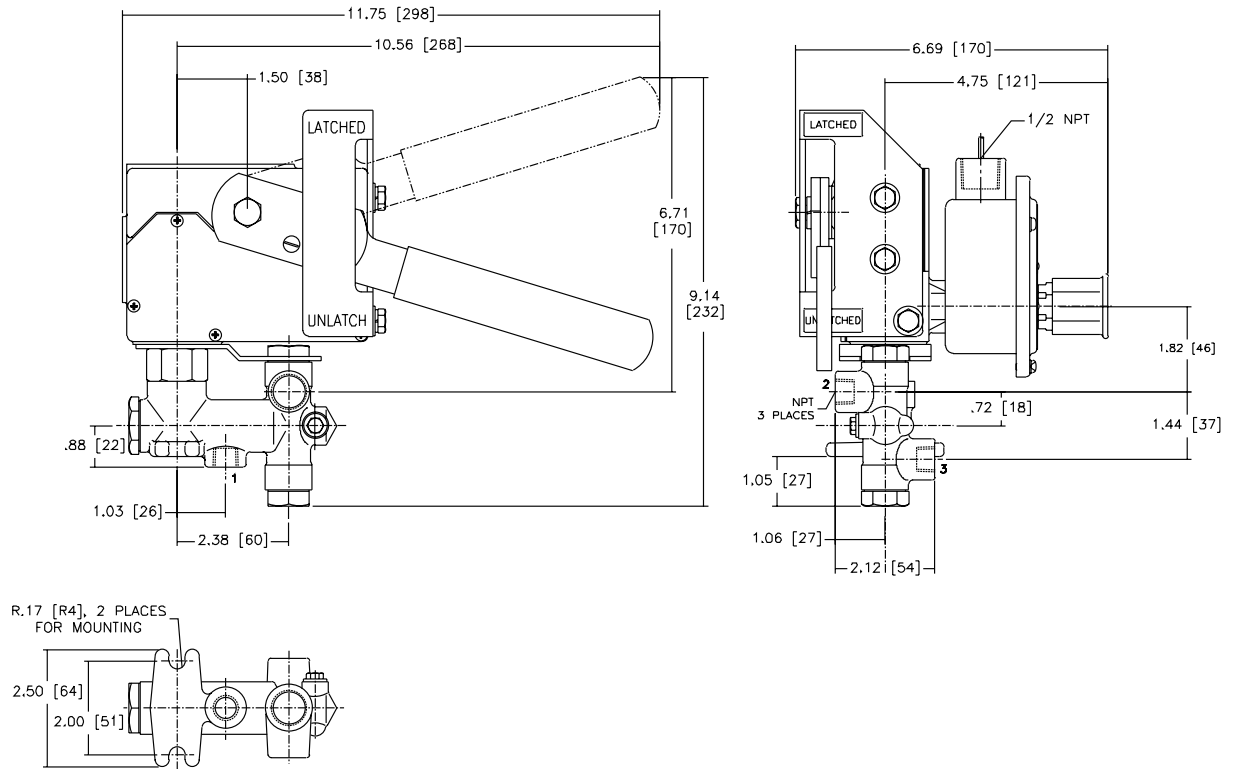
Specifications (Metric units)

Pipe Size (in)	Orifice Size (mm)	Kv Flow Factor (m³/h)	Operating Pressure Differential (bar)		Max. Fluid and Ambient Temp. °C	Catalog Number	Const. Ref.
			Air-Inert Gas				
			Min.	Max.			
3/2 UNIVERSAL OPERATION, Brass Body with NBR Disc or Stainless Steel Seats and Discs ②							
1/4	4	.33	0	8.6	81	WPIS8308B040	4
1/4	6	.39	0	8.6	81	WPIS8308044 ②	1
3/8	6	.39	0	8.6	81	WPIS8308045 ②	1
1/2	8	.64	0	8.6	81	WPIS8308046 ②	2
3/2 NORMALLY CLOSED OR NORMALLY OPEN, Brass Body with NBR Disc							
3/8	16	2.57	0.7	17.2	81	WPIS8308C041 ①	5
1/2	16	3.43	0.7	17.2	81	WPIS8308C042 ①	5
3/4	17	4.71	0.7	17.2	81	WPIS8308C043 ①	6
3/2 UNIVERSAL OPERATION, Stainless Steel Body with Stainless Steel Seats and Discs							
1/2	8	.64	0	8.6	92	WPIS8308047	3
4/2 OPERATION, Brass Body with PTFE and FPM Seats and Discs							
1/4	5	.69	0	17.2	70	WPIS8408B006	7
3/8	5	.69	0	17.2	70	WPIS8408B007	7

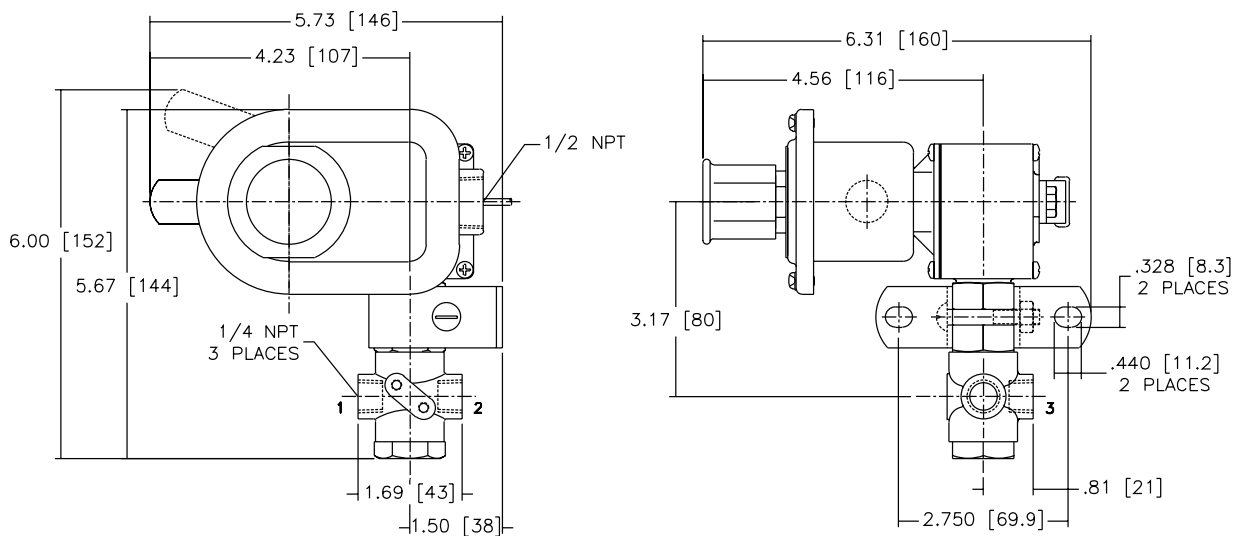
① For Normally Closed operation, add suffix "F" to catalog number; for Normally Open operation, add suffix "G" to catalog number.
 ② Supplied with stainless steel seats and discs.

Dimensions: inches (mm)

Const. Ref. 1, 2, 3

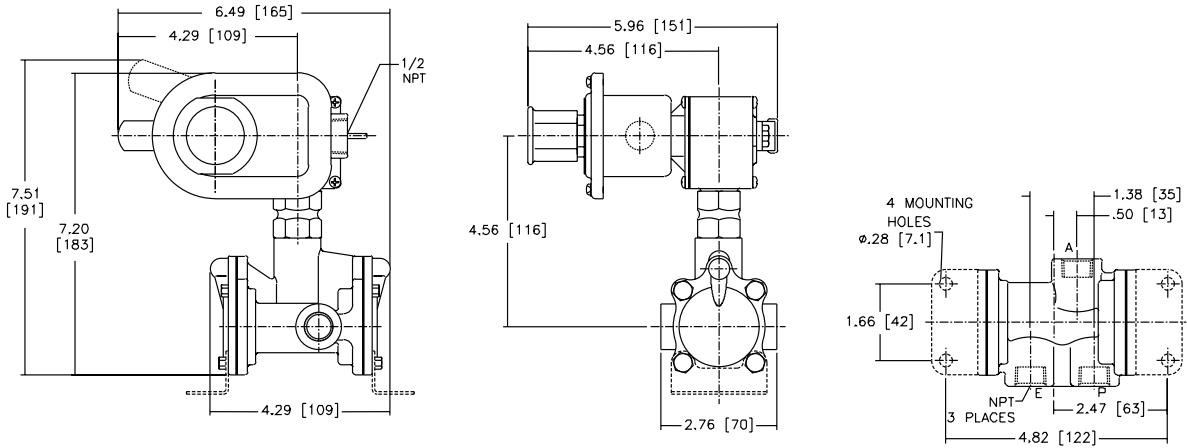


Const. Ref. 4

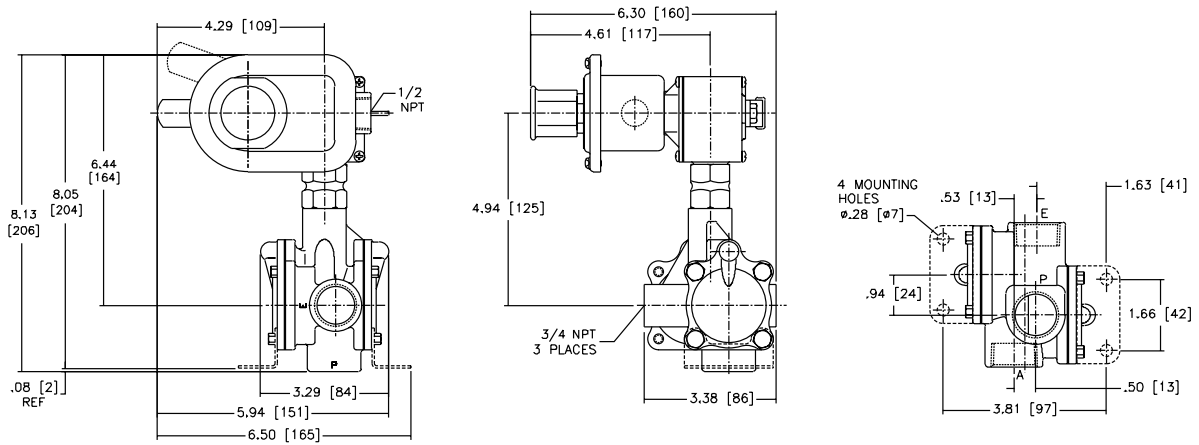


Dimensions: inches (mm)

Const. Ref. 5



Const. Ref. 6



Const. Ref. 7

