

SPECIFICATIONS

type of subbase	description		port connection				size	catalogue number	
	type of port		12-14	1	2-4	3-5			
single subbases ISO 5599/1 AFNOR NFE 49080	 side	tapped	G 1/8	G 1/4	G 1/4	G 1/4	ISO 1	35500076	
			G 1/8	G 1/4	G 1/4	G 3/8		35500061	
			G 1/8	G 3/8	G 3/8	G 3/8		35500382	
			G 1/8	G 3/8	G 3/8	G 3/8	ISO 2	35500560	
			G 1/8	G 1/2	G 1/2	G 1/2		35500562	
			G 1/8	G 1/2	G 1/2	G 1/2		ISO 3	35500171
	G 1/8	G 3/4	G 3/4	G 3/4	35500192				
	 bottom	tapped	G 1/8	G 1/4	G 1/4	G 1/4	ISO 1	35500077	
			G 1/8	G 3/8	G 3/8	G 3/8	ISO 2	35500085	
		with couplers	Ø 4 mm	for OD Ø 8 mm		G 1/4	ISO 1	35500069	
joinable subbases ISO 5599/1 VDMA 24345	 bottom	subbase	G 1/8	-	G 1/4	-	ISO 1	35500165	
		set of 2 end plates	-	G 3/8	-	G 3/8		35500166	
		subbase	G 1/8	-	G 3/8	-	ISO 2	35500169	
		set of 2 end plates	-	G 1/2	-	G 1/2		35500170	
		subbase	G 1/8	-	G 1/2	-	ISO 3	35500173	
		set of 2 end plates	-	G 1	-	G 1		35500174	
		set of 3 plugs on main pressure (1) and exhausts (3-5) for 2 different pressure supplies (see A)						ISO 1	88135521
								ISO 2	88135522
						ISO 3	88135520		

Set of 2 end plates supplied with 3 plugs (for 1-3-5)

(A) Mounting principle of a plug set : this device allows joinable subbases to be supplied with 2 different pressure inlets.



SET OF TRANSFER PLATES AND CONNECTIONS

• Set of transfer plates and connections to put together different sizes of ISO - VDMA joinable subbases :

ISO 1 - ISO 2, set including :

- A transfer module to allow connection of ISO-VDMA joinable subbases through ISO 1 and ISO 2 **bottom** ports, and connection of supply pressure (1) and exhausts (3-5) through the unit.
- One end plate ISO 1 (ports 1 - 3 - 5)
- One end plate ISO 2 (ports 1 - 3 - 5)

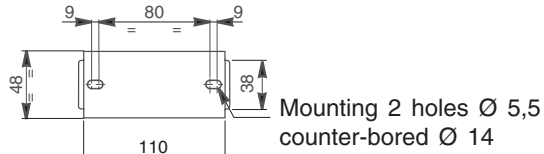
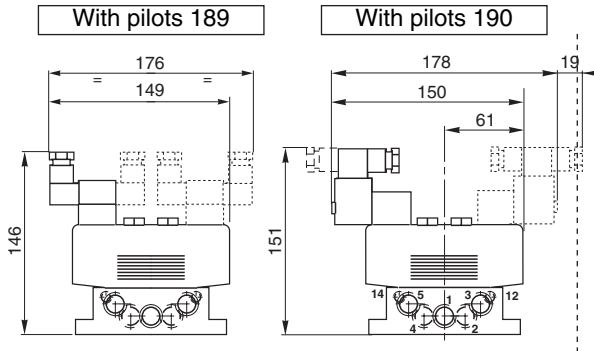
ISO 1 - ISO 3 set including the same parts as mentioned above, but adapted to the connection of ISO 1 and ISO 3

description	type	catalogue number	E (mm)	
Set of transfer plate and connections for ISO/VDMA joinable subbases with bottom ports	ISO 1 - ISO 2	35500199	20	
	ISO 1 - ISO 3	35500194	32	

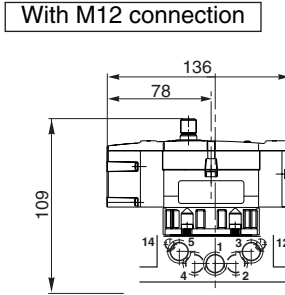
DIMENSIONS (mm), WEIGHT (kg)

VALVES ON SINGLE SUBBASES
Side port - ISO 1

541 Series



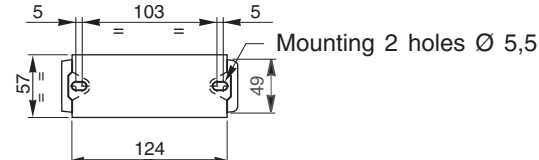
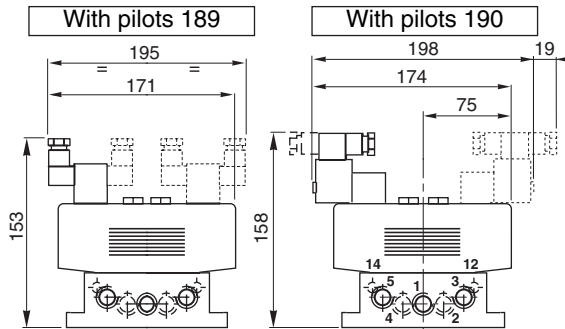
503 Series



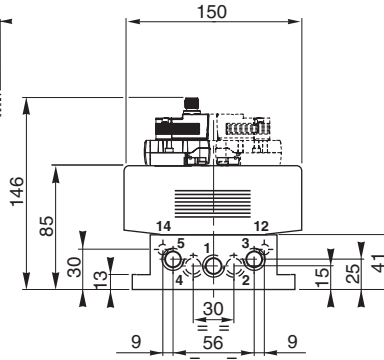
subbase catalogue number	port connection		
	12-14	1-2-4	3-5
35500076	G 1/8	G 1/4	G 1/4
35500061		G 3/8	G 3/8
35500382		G 3/8	G 3/8

total weight					
with 1 pilot			with 2 pilots		
189	190	M12	189	190	M12
0,725	0,785	0,665?	0,825	0,945	0,695?

542 VALVES ON SINGLE SUBBASES
Side port - ISO 2



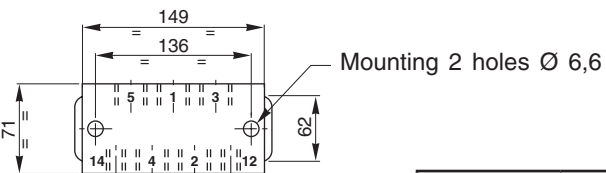
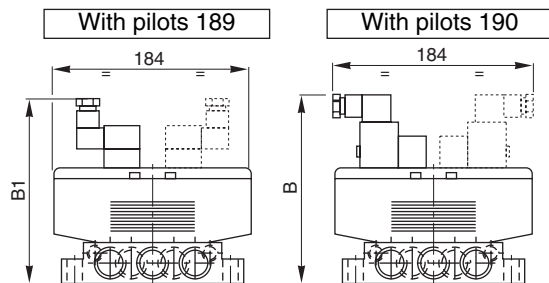
With M12 connection



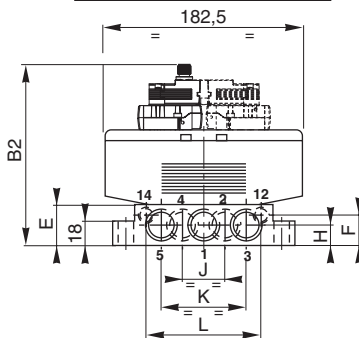
subbase catalogue number	port connection		
	12-14	1-2-4	3-5
35500560	G 1/8	G 3/8	G 3/8
35500562		G 1/2	G 1/2

total weight					
with 1 pilot			with 2 pilots		
189	190	M12	189	190	M12
0,950	1,010	0,930	1,080	1,200	0,980

543 VALVES ON SINGLE SUBBASES
Side port - ISO 3




With M12 connection



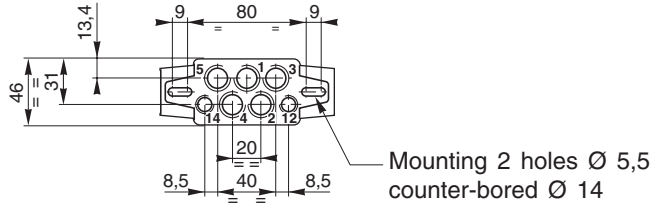
subbase catalogue number	port connection		
	12-14	1-2-4	3-5
35500171	G 1/8	G 1/2	G 1/2
35500192		G 3/4	G 3/4

total weight						
G	with 1 pilot			with 2 pilots		
	189	190	M12	189	190	M12
1/2	1,585	1,645	1,540	1,685	1,800	1,585
3/4	2,652	2,127	2,022	2,167	2,282	2,067

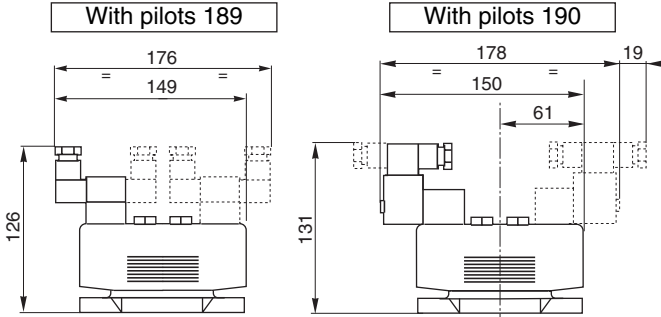
	B	B1	B2	E	F	H	J	K	L
G 1/2	164	159,5	152	32	22	17	32	68	90
G 3/4	182	177,5	170	50	40	20	36	80	92

DIMENSIONS (mm), WEIGHT (kg) 

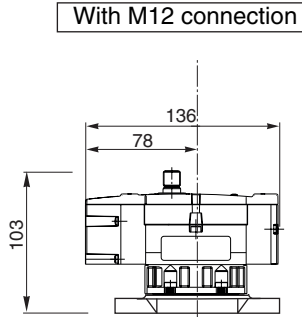
VALVES ON SINGLE SUBBASES
Bottom port - ISO 1



541 Series



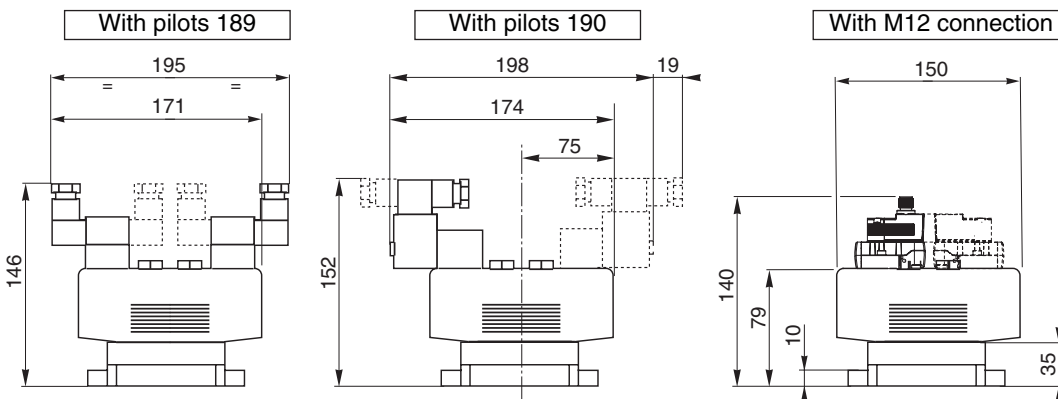
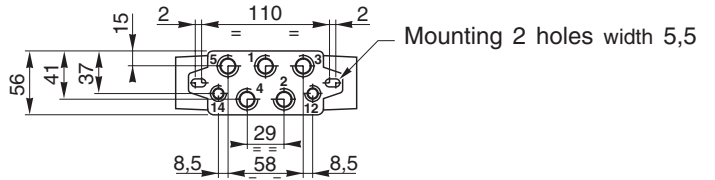
503 Series



subbase catalogue number	port connection		
	12-14	1-2-4	3-5
35500077	G 1/8	G 1/4	G 1/4
35500069	Instant fittings		G 1/4
	Ø 4 OD	Ø 8 OD	

total weight					
with 1 pilot			with 2 pilots		
189	190	M12	189	190	M12
0,720	0,780	0,660	0,820	0,940	0,690

542 VALVES ON SINGLE SUBBASES
Bottom port - ISO 2



subbase catalogue number	port connection		
	12-14	1-2-4	3-5
35500085	G 1/8	G 3/8	G 3/8

total weight					
with 1 pilot			with 2 pilots		
189	190	M12	189	190	M12
0,670	0,730	0,650	0,800	0,920	0,700

00305GB-2017/R01
Availability, design and specifications are subject to change without notice. All rights reserved.

DIMENSIONS (mm), WEIGHT (kg)

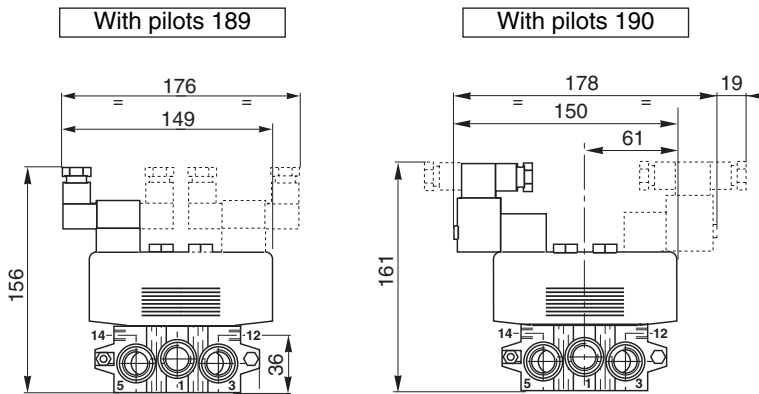
SPOOL VALVES ON METALLIC JOINABLE SUBBASES

Bottom port - ISO 1

number of subbases	A	B±1	C	weight		
				valves with 2 pilots + subbases + end plates		
				pilot 189	pilot 190	M12
3	173	150	86	2,850	3,200	2,450
4	216	193	129	3,500	4,000	3,000
5	259	236	172	4,100	4,700	3,450
6	302	279	215	4,750	5,500	4,000
7	345	322	258	5,350	6,200	4,450
8	388	365	301	6,000	7,000	5,000

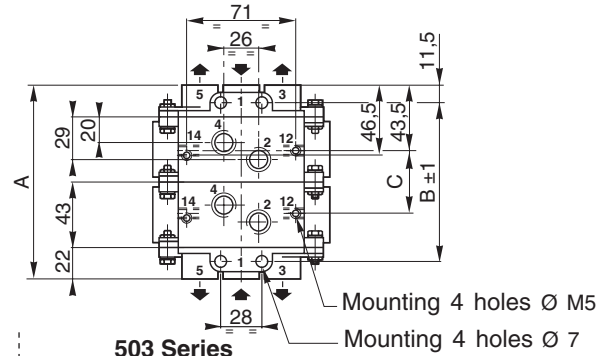
Pilots weight : 1 x 189 = 0,120 kg - 1 x 190 = 0,180 kg
1 x M12 = 0,058 kg - 2 x M12 = 0,110 kg

541 Series

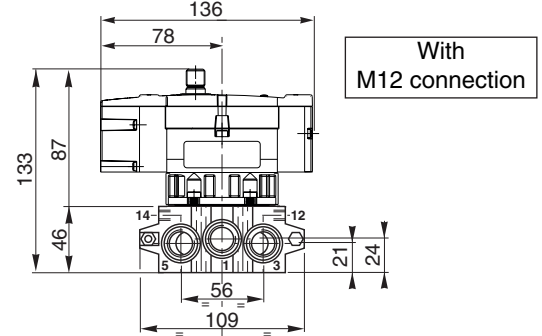


	code	port connection		
		12-14	2-4	1-3-5
subbase	35500165	G 1/8	G 1/4	-
2 end plates	35500166	-	-	G 3/8

Set of end plates supplied with 3 plugs G 3/8 (for 1-3-5)



503 Series

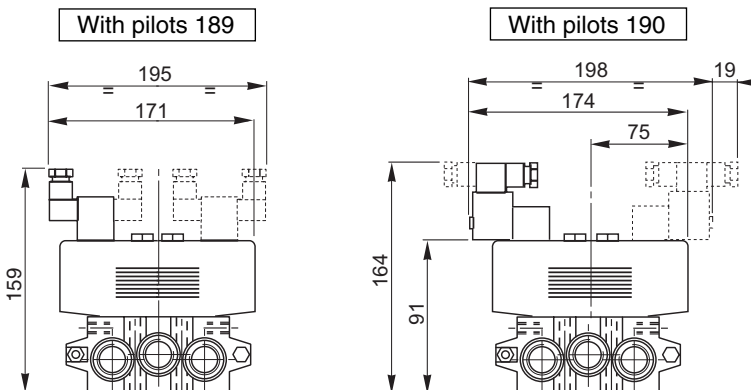


542 SPOOL VALVES ON METALLIC JOINABLE SUBBASES

Bottom port - ISO 2

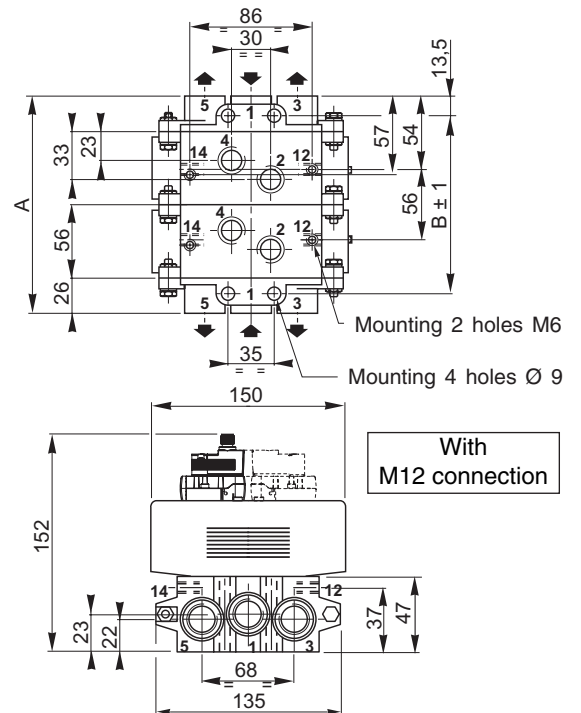
number of subbases	A	B±1	C	weight		
				valves with 2 pilots + subbases + end plates		
				pilot 189	pilot 190	M12
3	220	193	112	3,600	3,900	3,240
4	276	249	168	4,600	5,100	4,220
5	332	305	224	5,700	6,300	5,200
6	388	361	280	6,800	7,500	6,180
7	444	417	336	7,800	8,700	7,160
8	500	473	392	9,000	9,900	8,140

Pilot weight : 1 x 189 = 0,120 kg - 1 x 190 = 0,180 kg
1 x M12 = 0,073 kg - 2 x M12 = 0,140 kg



	catalogue number	port connection		
		12-14	2-4	1-3-5
subbase	35500169	G 1/8	G 3/8	-
2 end plates	35500170	-	-	G 1/2

Set of end plates supplied with 3 plugs G 1/2 (for 1-3-5)



DIMENSIONS (mm), WEIGHT (kg)

543 SPOOL VALVES ON METALLIC JOINABLE SUBBASES

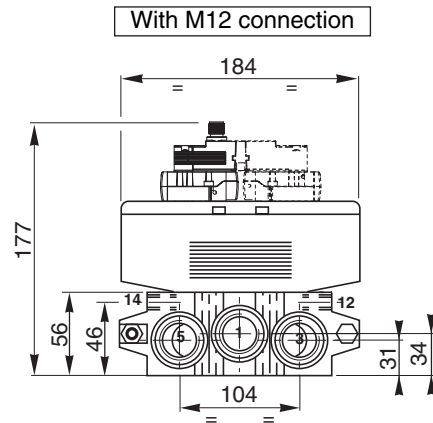
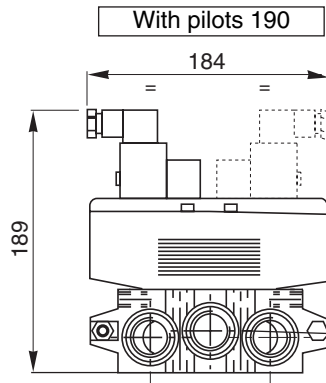
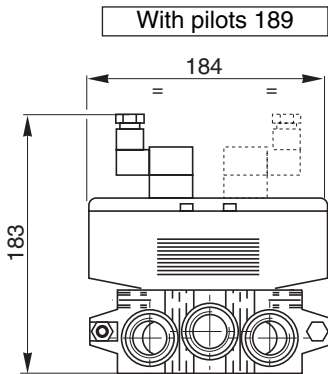
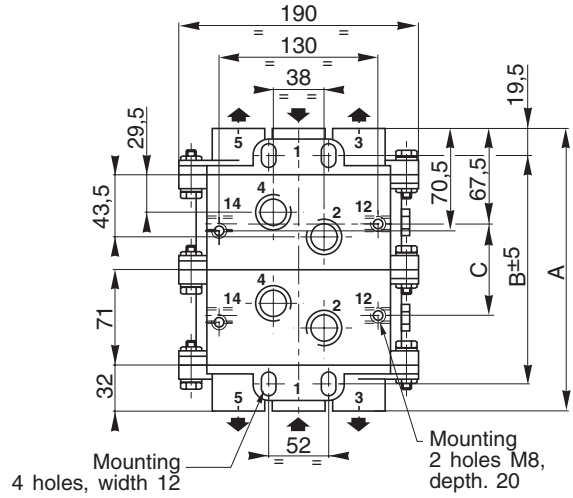
Bottom port - ISO 3

	catalogue number	port connection		
		12-14	2-4	1-3-5
subbase	35500173	G 1/8	G 1/2	-
2 end plates	35500174	-	-	G 1

Set of end plates supplied with 3 plugs G 3/8 (for 1-3-5)

number of subbases	A	B±1	C	weight		
				valves with 2 pilots + subbases + end plates		
				pilot 189	pilot 190	M12
2	206	167	71	4,140	4,260	3,820
3	277	238	142	5,740	5,860	5,200
4	348	309	213	7,340	7,460	6,580
5	419	380	284	8,940	9,060	7,960
6	490	451	355	10,540	10,660	9,120
7	561	522	426	12,140	12,140	10,380

Pilots weight : 1 x 189 = 0,120 kg - 1 x 190 = 0,180 kg
1 x M12 = 0,073 kg - 2 x M12 = 0,141 kg



GENERAL

This subbase system comprises joinable subbases and accessories with 3 principal characteristics.

- The equipment has a **standard** interface complying with the international standard ISO 5599/1 - Size 1, so that spool valves series 541 can be fitted.
- Subbases for **side ports**.
- The subbases are fitted with selector plates which mean that various piping arrangements and inter-connections can be selected.

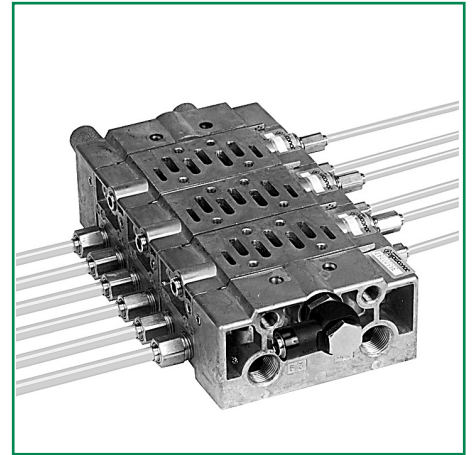
CONNECTION POSSIBILITIES

These joinable subbases with side ports offer many advantages:

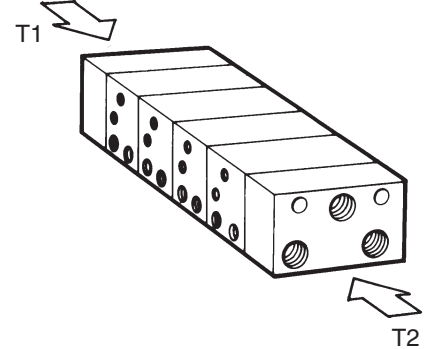
- Various piping possibilities due to a large number of port connections.
- Simple assembly in panels due to an improved accessibility to the ports.
- Simple maintenance.
- A reduction in costs due to the removal of pivoting mounting chassis and a reduction in the number of fittings.
- Possibility of mounting directly onto the body of the machine.
- A reduction in lengths of tube giving improved flow rates and improved response times.

These bases allow piping to outlet ports (2, 4) and pilot ports (12, 14) on both side faces, as shown below.

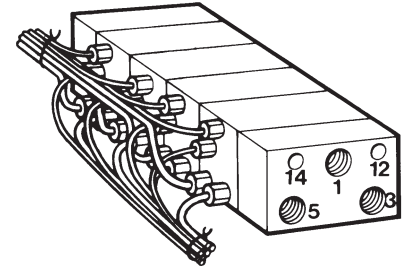
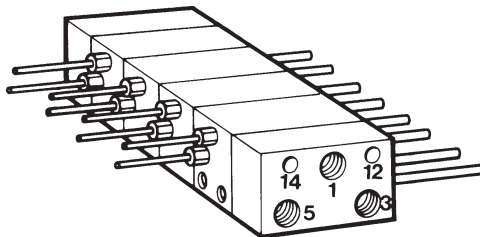
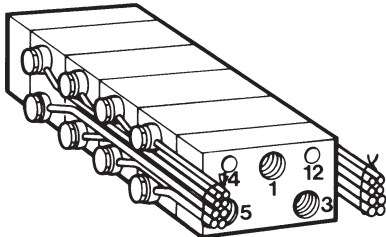
The end plates allow the piping of the supply (1) and exhausts (3,5), in addition, the pilots (12,14) can be piped into the end plates.



CONNECTION THROUGH THE END PLATES



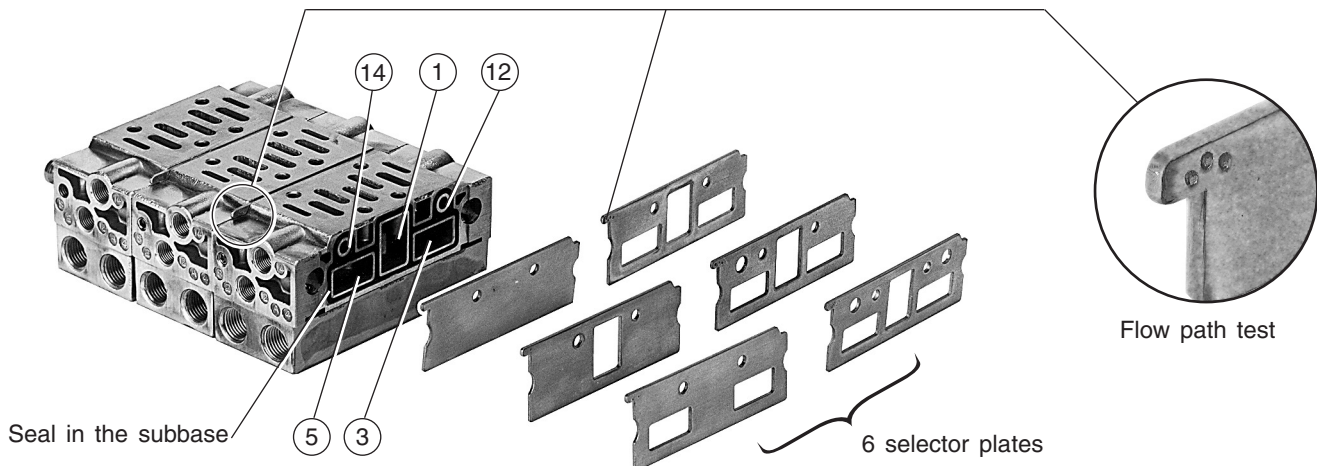
SAMPLE PIPING ARRANGEMENTS



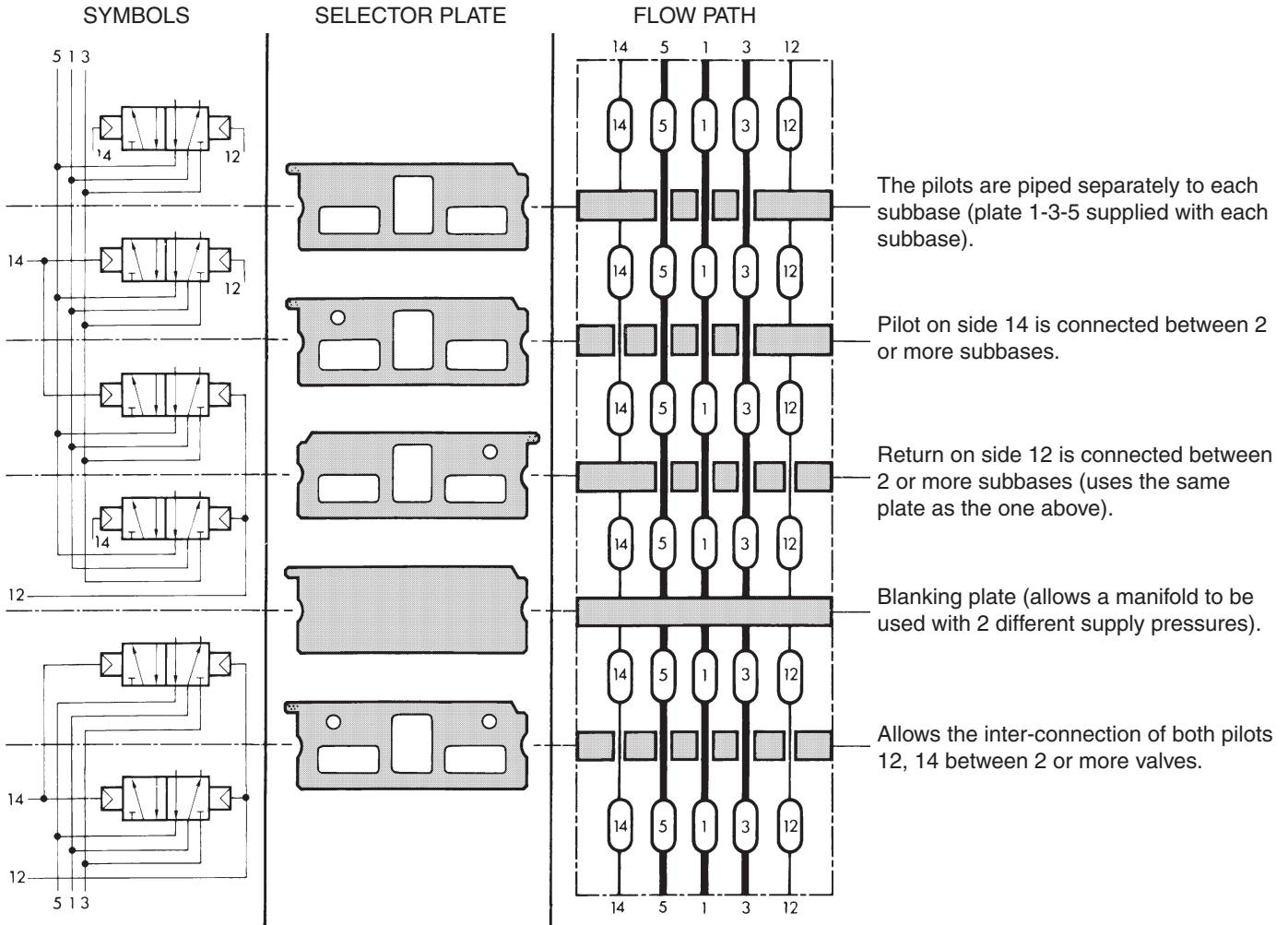
This arrangements allows the use of rotatable fitting

POSSIBLE FLOW PATHS

The subbases include 5 flow paths (1-3-5-12-14), all of which can be connected through the end plates of each manifold assembly.



POSSIBLE FLOW PATHS



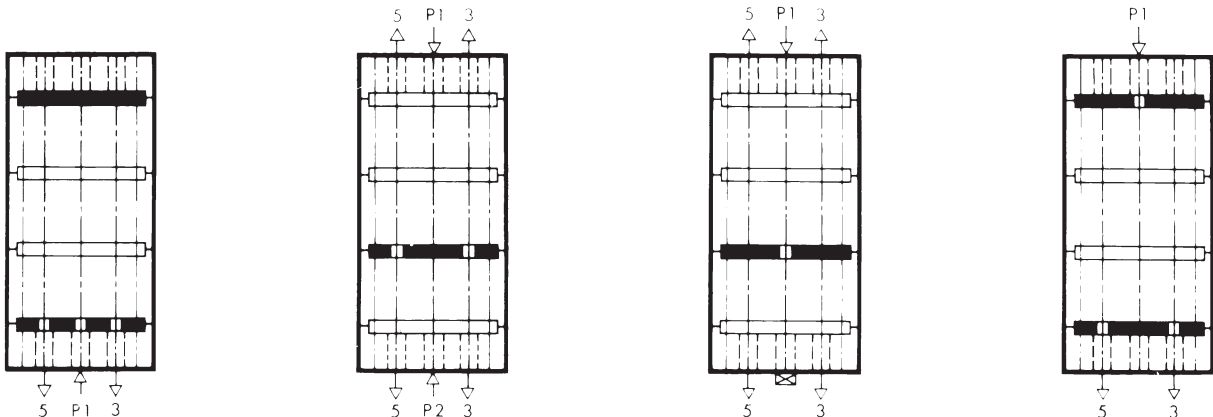
PIPING OF SUPPLY AND EXHAUSTS TO THE END COVERS

STANDARD ASSEMBLY
Supply and exhausts to 1 side plate.

Assembly with 2 different pressures and with the exhaust piped to both end plates.

Assembly with 1 supply on 1 plate but with exhausts from the 2nd end plate.

Assembly with the supply port in 1 end plate and the exhaust from the other end plate.



Selector plates supplied as standard allows the assembly as shown above.

For this assembly a selector plate with connections between 3, 5 is necessary.

For this assembly a selector plate allows flow through port 1 if required. The supply port in the second plate must be plugged.

For this assembly you require 2 selector plates, 1 allowing flow through port 1 and 1 allowing flow through ports 3, 5. With ISO 1 bases this arrangement allows the assembly without plugging any ports.

00305GB-2017/R01
Availability, design and specifications are subject to change without notice. All rights reserved.

CHOICE OF EQUIPMENT

description	parts list	ports					code	
		1-3-5		2-4		12-14	ISO 1	ISO 2
		ISO 1	ISO 2	ISO 1	ISO 2	ISO 1-2		
metallic joinable subbase with side ports	1 subbase + 2 seals 1 selector plate (connects ports 1 - 3 - 5) 2 G 1/4 plugs 1 G 1/8 plug 2 assembly diabolos	-	-	G 1/4	G 1/2	G 1/8	35500088	35500102
set of 2 end plates	2 end plates + 2 seals 1 blank selector plate (no flow) 1 selector plate (connects ports 1 - 3 - 5) 2 assembly diabolos	G 3/8	G 3/4	-	-	G 1/8	35500087	35500101
blank selector plate (no flow)							88135501	88135506
selector plate (connects port 1)							88135512	88135513
selector plate (connects ports 3 and 5)							88135510	88135511
selector plate (connects ports 1 - 3 - 5)							88135502	88135507
selector plate (connects ports 1 - 3 - 5 and 1 pilot 12 or 14)							88135503	88135508
selector plate (connects ports 1 - 3 - 5 and 2 pilots 12 and 14)							88135504	88135509

SET OF TRANSFER PLATES AND CONNECTIONS

• Allow connection of ISO 1 and ISO 2 metallic joinable subbases, with side port .

Set including : - A transfer module to allow connection of subbases ISO 1 and ISO 2

- One end plate ISO 2 (ports 1 - 3 - 5 : G 3/4)
- One end plate ISO 1 (ports 1 - 3 - 5 : G 3/8)

SPECIFICATIONS

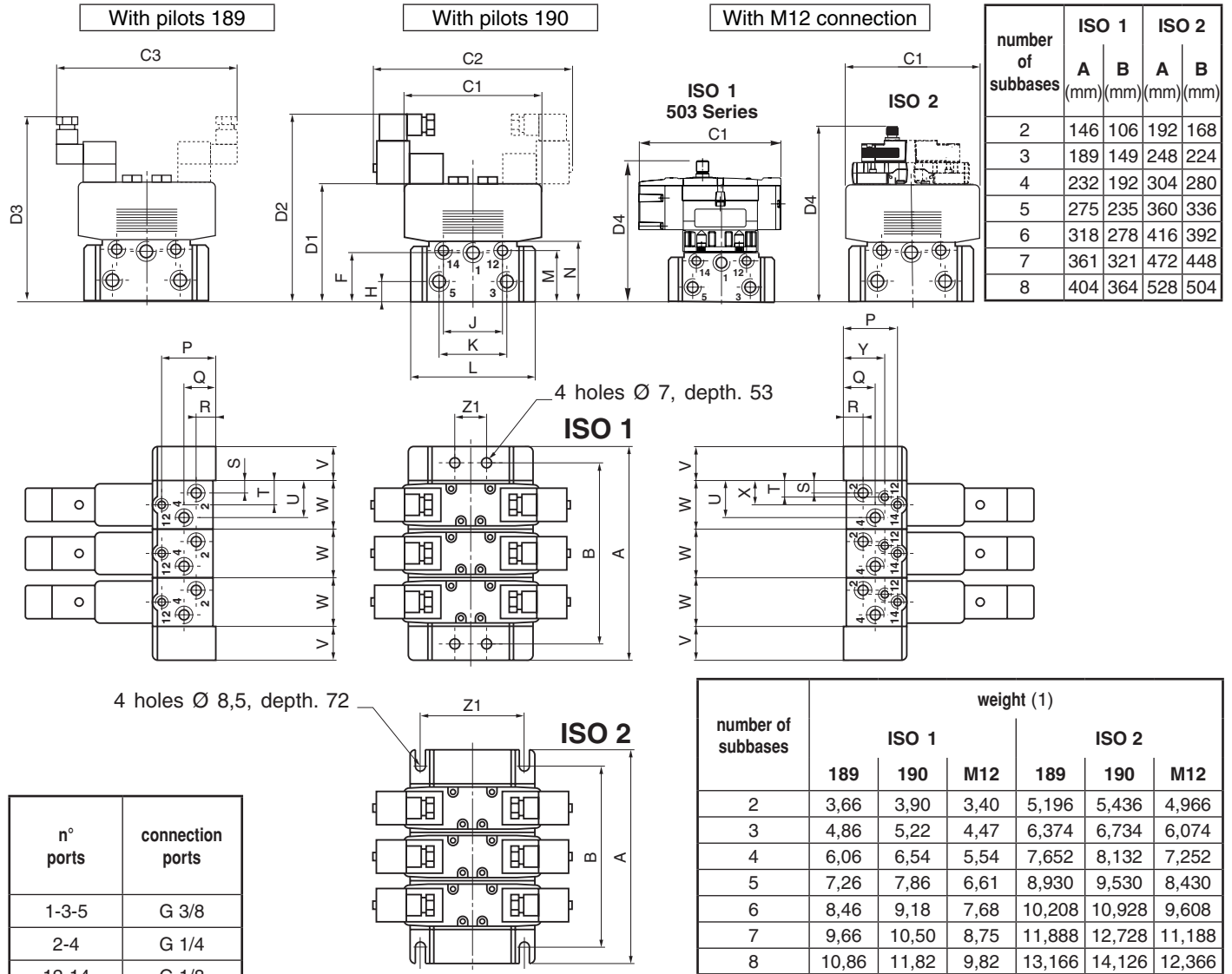
designation	type	catalogue number	E (mm)	
set of transfer plate and connections for joinable metallic subbases with side port	ISO 1 - ISO 2	35500390	30	

ACCESSORIES ([see «ACCESSORIES» page](#))

DIMENSIONS (mm), WEIGHT (kg)

SPOOL VALVES ON METALLIC JOINABLE SUBBASES

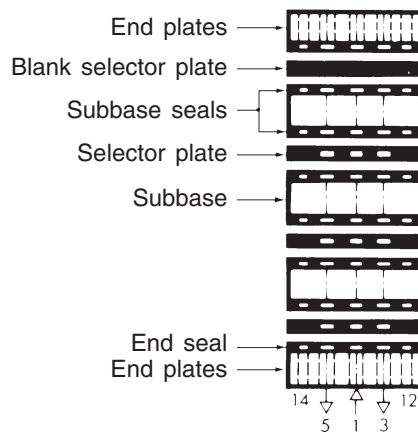
Side ports - ISO 1-2



(1) Spool valves with 2 pilots 189 + subbases + end plates
Pilot weight : 1 x 189 = 0,120 kg - 1 x 190 = 0,180 kg
M12 **ISO1** 1 x M12 = 0,058 kg - 2 x M12 = 0,110 kg
M12 **ISO2** 1 x M12 = 0,073 kg - 2 x M12 = 0,140 kg

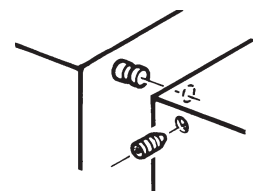
	C1	C2	C3	D1	D2	D3	D4	F	H	J	K	L	M	N	P	Q	R	S	T	U	V	W	X	Y	Z1
ISO 1	136	178	176	95	168	163	140	42	16	53	59	106	44	53	44	13	13	11	17,5	32	30	43	26	30	28
ISO 2	150	198	171	126	197	191	185	62	30	62	62	126	72	80	68	36	17	15	18	41	40	58	38	64	104

ASSEMBLY OF SUBBASES



CONNECTION

End plates and subbases are connected together using a system of diabolos and grub screws.

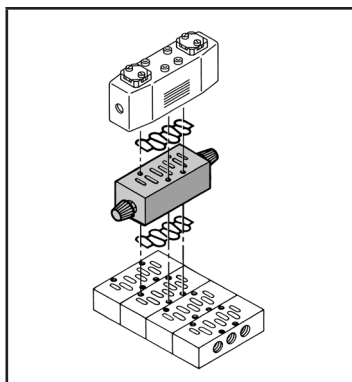


503 accessories	Blank station plate kit G503AW428300003	Sandwich pressure block G503AW428300003	Sandwich exhaust block G503AX428300001
	R503AS425575001	R503ARS1GJ14M20	R503ARD1GJ14M20
	Sandwich speed control kit	Sandwich Pressure Regulators	

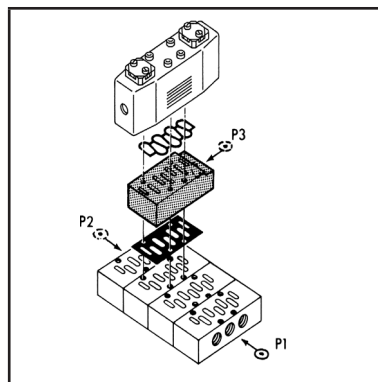


SPECIFICATIONS

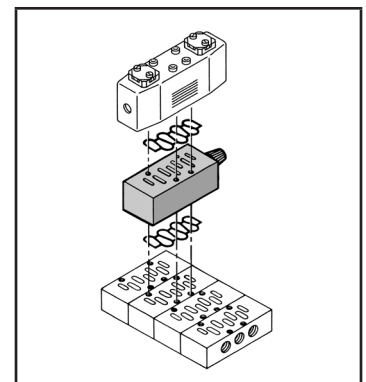
designation	symbol	catalogue number				
		ISO 1	ISO 2	ISO 3		
Blanking plate to cover interface This plate allows later assembly with a spool valve.		88135517	88135518	88135519		
Flow regulator sandwich This unit, fitted between the subbase and the valve, incorporates 2 flow regulators in the exhaust ports 3 and 5. Flow regulators can be used to control the speed of a double acting cylinder. Weights : ISO 1 : 0,230 kg - ISO 2 : 0,440 kg - ISO 3 : 1 kg		34600476	34600477	-		
Separate pressure supply module This unit, fitted between the subbase and the valve, allows an individual valve to be supplied with a different pressure from that in the main manifold. The pressure feed within the side bases is not blocked by adding this plate. Pressure supply port P : G 1/4		35500118	-	-		
Sandwich pressure regulator module This module, which is placed between a subbase and a spool valve, is designed to regulate the pressure and the port according to: - Adjustable pressure: 0.5 to 10bar - G1/8 (A) port on top for pressure gauge connection - Locking adjustment knob of "Pull-Turn-Push" type ISO 1 : E=45 mm L=146 mm ISO 2 : E=60 mm L=180 mm ISO 3 : E=67 mm L=208 mm		regulator flow at 6 bar : ISO 1 : 550 l/min weight : 0,387 kg ISO 2 : 1000 l/min weight : 1,680 kg ISO 3 : 2000 l/min weight : 2,210 kg	Button side 12 14	34600474	-	-
		regulator flow at 6 bar : ISO 1 : 850 l/min weight : 0,387 kg ISO 2 : 1400 l/min weight : 1,680 kg ISO 3 : 2700 l/min weight : 2,210 kg	34600458	-	-	
		regulator flow at 6 bar : ISO 1 : 850 l/min weight : 0,387 kg ISO 2 : 1400 l/min weight : 1,680 kg ISO 3 : 2700 l/min weight : 2,210 kg	34600459	-	-	
		regulator flow at 6 bar : ISO 1 : 850 l/min weight : 0,577 kg ISO 2 : 1400 l/min weight : 2,400 kg ISO 3 : 2700 l/min weight : 3,200 kg	34600460	-	-	
	Gauge Ø40 (0 - 12 bar)				34300014	
G1/8 bracket connection for pressure gauge mounting				88100617		



Sandwich flow regulator module



Separate pressure supply module



Sandwich pressure regulator module