

# ASCO™ OPERATORS

FOR POTENTIALLY EXPLOSIVE ATMOSPHERES

II 3 GD Ex ec IIC T4 Gc Ex tc IIIC T1 15°C Dc IP65X / II 3 GD Ex ec IIC T4 Gc Ex tc IIIC T1 110°C Dc IP65X

MOULDED COILS TYPES WITH CONNECTORS

SERIES  
**SG**

- Explosionproof operator for use in potentially explosive atmospheres according to ATEX-Directive 2014/34/EU
- Compliance with the Essential Health and Safety Requirements has been assured by compliance with the European Standards EN 60079-0, EN 60079-7 and EN 60079-31
- The assembly consisting of the coil and connector has IP65 protection
- The operators are designed for installation on a wide range of valves
- Available series: 189-189 banjo-190-238-256-262-263-314-356-541-541 compact-542-543-551-553-353-355 [Dust Collector Systems (DCS)]



Construction	
Coil	Epoxy encapsulated
Connector enclosure	Glass-fibre filled PA
Connector specification	F (AC/DC)
size 22 (11 mm)	EN 175301-803 industry standard form B
size 30 (18 mm)	ISO 4400 / EN 175301-803, form A
Core tube & Plugnut	Stainless steel
Nameplate	Polyester
Safety code	SG (solenoid valves):
	<ul style="list-style-type: none"> <li>Ex II 3 GD, Ex ec IIC T4 Gc Ex tc IIIC T1 15°C Dc IP65X</li> <li>SG (Dust Collector Systems):</li> <li>Ex II 3 GD, Ex ec IIC T4 Gc Ex tc IIIC T1 110°C Dc IP65X</li> </ul>
Seals	FPM o-ring, EPDM gasket

Electrical characteristics		
(Other voltages and 60 Hz on request)	DC (=): 12V - 24V - 48V - 110V AC (~): 24V - 48V - 115V - 230V / 50 Hz	
Coil insulation class	F (AC/DC)	
	Size 22	Size 30
Number of contacts	2 + common earth	2 + common earth
Distance between contacts	11 mm	18 mm
Connector	Spade plug (cable Ø 4,5-7 mm)	Spade plug (cable Ø 4,5-10 mm)
Electrical safety	IEC 335	IEC 335
Electrical enclosure protection	IP65 (EN 60529)	IP65 (EN 60529)
Number of wires (with cable)	3 x ≤ 1,5 mm <sup>2</sup>	3 x ≤ 1,5 mm <sup>2</sup>

	max. AC power (W)	max. DC power (W)
SG	17,1	11,6
SG <sup>(2)</sup>	10,1	22,6

## Temperature classification tables

	temperature classification	surface temperature	min. ambient temperature	max. ambient temperature	E.D. <sup>(1)</sup>
SG	T4	115°C	-10°C	+50°C	100%
SG <sup>(2)</sup>	T4	110°C	-10°C	+60°C	10%

<sup>(1)</sup> Duty factor.

<sup>(2)</sup> For Dust Collector Valves (DCS).

## Ordering examples

A valve with the explosionproof operator will be identified:

	Series 189, 189 banjo, 190, 541, 541 compact, 542, 543	Series 238 (3/8 to 1), 256, 356, 551 (integrated pilot), 553, 353 (DCS)
with the prefix SG before the catalogue number	<b>With cable gland connector</b>	
	SG 54100883 . 230 / 50 SG 19000006 . 24 / DC SG 18900001 . 230 / 50-60 SG 18900047 . 230 / 50-60 option code for ATEX compliance (prefix) _____ solenoid valve catalogue number _____ voltage _____	SG E238D001 . 230 / 50-60 SG G256B002VMS . 115 / 50-60 SG G353A047 . 24 / DC SG G551A001MS . 230 / 50-60 option code for ATEX compliance (prefix) _____ solenoid valve basic number _____ voltage _____

with electrical interface SG in the 15-digit product code	Series 262, 263, 314						
	15-DIGIT PRODUCT CODE						
	E	262	K	232	SG	V00	F1
	E	263	K	232	SG	V00	F8
Thread connection					Voltage - class		
Product series					Options		
Revision letter							
Valves version							
Electrical interface							

01059GB-2019/R01 Availability, design and specifications are subject to change without notice. All rights reserved.

**Installation**

- The package consists of the solenoid valve, the coil (installed) and the connector (not installed)
- The coil is provided with an earthing connection
- Additional protection is necessary to protect the coil against mechanical stress and UV radiation
- Easy connection with spade plug connector
- Installation/maintenance instructions are included with each coil
- The spare part coil is always delivered with the connector in a unique reference

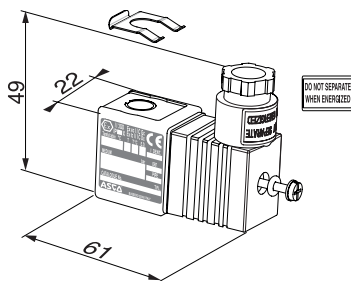
**Dimensions (mm), Weight (kg)**



**TYPE 01**

Coil + connecteur taille 22 (11 mm)  
EN 175301-803 standard industriel forme B  
IP65

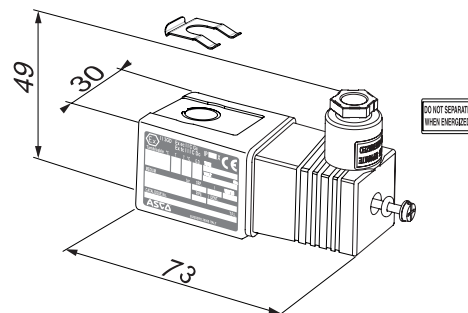
Séries (XM5): 189, 189 banjo, 256, 238 (3/8..1), 353 (DCS),  
355B6 (DCS), 356, 541, 541 compact, 542, 543, 551



**TYPE 02**

Coil + connector size 30 (18 mm)  
ISO 4400 / EN 175301-803, form A  
IP65

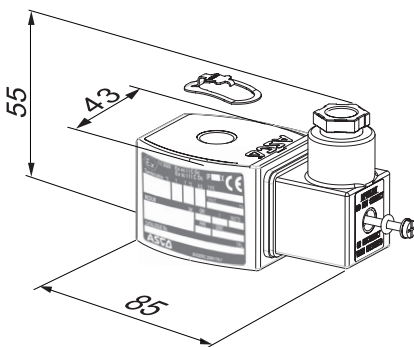
Series (C25): 190, 238 (3/8..1), 256 (1/4), 356 (1/4), 541,  
542, 543, 553



**TYPE 03**

Coil + connector size 30 (18 mm)  
ISO 4400 / EN 175301-803, form A  
IP65

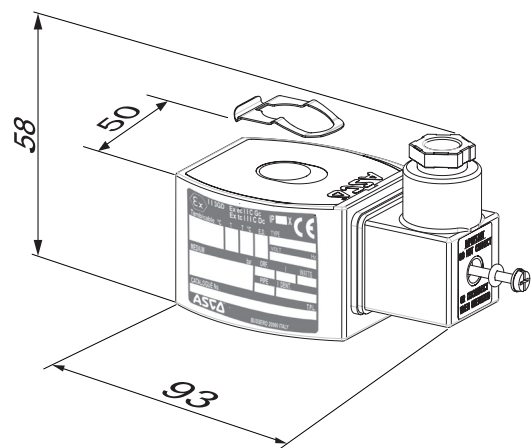
Series (M6 II): 262, 263, 314, 353 (DCS), 355B8 (DCS)



**TYPE 04**

Coil + connector size 30 (18 mm)  
ISO 4400 / EN 175301-803, form A  
IP65

Series (MXX-II) 262, 263, 314, 353 (DCS)



type	weight (kg)
XM5	0,092
C25	0,156
M6-II	0,286
MXX-II	0,376