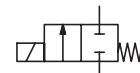




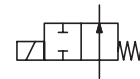
# SOLENOID VALVES

direct operated  
lever type, for heavy fuel oil  
3/8 to 3/4

NC



NO



2/2  
Series  
266

## FEATURES

- Forged brass bodied lever actuated valves for fuel oil no. 2, 4 (10-64 cSt), heavy fuel oil no. 5 (75-160 cSt) and heated no. 6 (90-640 cSt)
- The valves have a 1/2" NPT (bypass) connection for preheating purpose of the medium, see construction 2
- Solenoid valves have a viton seal for absolute tight shut-off or a stainless steel seating for a long life and reliable control
- The solenoid valves satisfy all relevant EU directives

## GENERAL

**Differential pressure** See «SPECIFICATIONS» [1 bar = 100 kPa]  
**Maximum viscosity** 10 to 640 cSt (mm<sup>2</sup>/s)  
**Response time** 20 - 40 ms

fluids (*)	temperature range (TS)	seal materials (*)
fuel oil grade 2 & 4	-20°C to +125°C	FPM (fluoroelastomer)
fuel oil grade 5 or heated 6	-20°C to +125°C	stainless steel (303 SS)

## MATERIALS IN CONTACT WITH FLUID

(\*) Ensure that the compatibility of the fluids in contact with the materials is verified

	Construction 1	Construction 2
<b>Body</b>	Brass	Brass
<b>Core tube</b>	Stainless steel	Stainless steel
<b>Core and plugnut</b>	Stainless steel	Stainless steel
<b>Springs</b>	Stainless steel	Stainless steel
<b>Seat</b>	FPM or metal-to-metal	FPM or metal-to-metal
<b>Seals</b>	FPM	FPM
<b>Disc</b>	Stainless steel	Stainless steel
<b>Shading coil</b>	Copper	Copper

## ELECTRICAL CHARACTERISTICS

**Coil insulation class** F  
**Connector** Spade plug (cable Ø 6-10 mm)  
**Connector specification** ISO 4400 / EN 175301-803, form A  
**Electrical safety** IEC 335  
**Electrical enclosure protection** Moulded IP65 (EN 60529)  
**Standard voltages** AC (~): 24V - 48V - 115V - 230V / 50 Hz

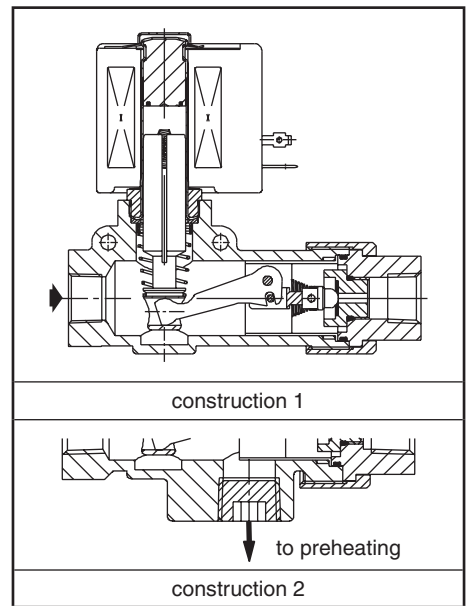
(Other voltages and 60 Hz on request)

prefix option	power ratings				operator ambient temperature range (TS) (C°)	replacement coil		type <sup>(1)</sup>
	inrush ~	holding ~		hot/cold =		~	=	
		(VA)	(VA)					
SC	110	33,6	15,4	-	-20 to +40	230 V/50 Hz	-	01
	240	43	20	-	-20 to +40	400525-117	-	

<sup>(1)</sup> Refer to the dimensional drawings on the following page.

## SPECIFICATIONS

pipe size	orifice size	flow coefficient Kv		operating pressure differential (bar)				power coil (W)		catalogue number	
				min.	max. (PS)		FPM (suffix V)			metal-to-metal (suffix L)	
					fuel oil grade 2 & 4 (*)	fuel oil grade 5 or heated 6 (*)					~
NPT	(mm)	(m <sup>3</sup> /h)	(l/min)								
<b>NC - Normally closed, 2 port version (construction 1)</b>											
3/8	3,2	0,3	1,5	0	28	25	15,4	-	SCB266D001V	SCB266D001L	
	4,8	0,6	10	0	14	12	15,4	-	SCB266D007V	SCB266D007L	
	4,8				21	17	20	-	SCB266D011V	SCB266D011L	
	6,4	1	16,6	0	8	7	15,4	-	SCB266D023V	SCB266D023L	
1/2	3,2	0,3	1,5	0	28	25	15,4	-	SCB266D047V	SCB266D047L	
	4,8	0,6	10	0	14	12	15,4	-	SCB266D053V	SCB266D053L	
					21	17	20	-	SCB266D057V	SCB266D057L	
					12	10	15,4	-	SCB266D061V	SCB266D061L	
	5,2	0,7	11,6	0	8	7	15,4	-	SCB266D069V	SCB266D069L	
	6,4	1	16,6	0	5	5	15,4	-	SCB266D077V	SCB266D077L	
	8	1,5	25	0	3	2	15,4	-	SCB266D085V	SCB266D085L	
9	2,1	35	0								
<b>NC - Normally closed, 3 port version, one bypass port (construction 2)</b>											
1/2	3,2	0,3	1,5	0	45	42	20	-	SCB266C203V	SCB266C203L	
	6,4	1	16,6	0	12	11	20	-	SCB266C215V	SCB266C215L	
	8	1,5	25	0	8	7	20	-	SCB266C219V	SCB266C219L	
	9	2,1	35	0	6	5	20	-	SCB266C223V	SCB266C223L	
3/4	6,4	1	16,6	0	12	11	20	-	SCB266C239V	SCB266C239L	
	8	1,5	25	0	8	7	20	-	SCB266C243V	SCB266C243L	
	9	2,1	35	0	5	5	20	-	SCB266C247V	SCB266C247L	



## SPECIFICATIONS

pipe size	orifice size	flow coefficient Kv		operating pressure differential (bar)			power coil (W)		catalogue number	
				min.	max. (PS)				FPM (suffix V)	metal-to-metal (suffix L)
					fuel oil grade 2 & 4 (*)	fuel oil grade 5 or heated 6 (*)				
NPT	(mm)	(m³/h)	(l/min)		~	~	=	~	~	
<b>NO - Normally open, 2 port version (construction 1)</b>										
3/8	3,2	0,3	1,5	0	29	28	15,4	-	SCB266D101V	SCB266D101L
	4,8	0,6	10	0	11	10	15,4	-	SCB266D107V	SCB266D107L
	6,4	1	16,6	0	6	5	15,4	-	SCB266D123V	SCB266D123L
1/2	4,8	0,6	10	0	11	10	15,4	-	SCB266D153V	SCB266D153L
	5,2	0,7	11,6	0	9	9	15,4	-	SCB266D161V	SCB266D161L
	6,4	1	16,6	0	6	5	15,4	-	SCB266D169V	SCB266D169L

## OPTIONS

- Waterproof enclosure with embedded screw terminal coil according to protection class IP67, CEE-10
- Explosionproof enclosures for use in zones 1/21-2/22, categories 2-3 to ATEX Directive 2014/34/EU ([www.asco.com](http://www.asco.com))
- Electrical enclosures according to "NEMA" standards are available
- Compliance with "UL", "CSA" and other local approvals available on request
- Other insulation classes (H) are available
- Other pipe connections are available on request
- Connector with visual indication and peak voltage suppression or with cable length of 2 m ([www.asco.com](http://www.asco.com))

## INSTALLATION

- The solenoid valves must be mounted with the solenoid vertical and upright
- Solenoid valves have 2 mounting holes in body
- Pipe connection identifier is B = NPT (ANSI 1.20.3)
- Installation/maintenance instructions are included with each valve

## SPARE PARTS KITS

catalogue number	spare parts kit no.	
	~	
	FPM	metal-to-metal
SCB266D001/D047/C203	C304097V	C304097L
SCB266D007/D053/D011/D057	C304098V	C304098L
SCB266D023/C215	C304099V	C304099L
SCB266D061	C304100V	C304100L
SCB266D069/C239	C304099V	C304099L
SCB266D077/C219/C243	C304101V	C304101L
SCB266D085/C223/C247	C304102V	C304102L
SCB266D101	C304103V	C304103L
SCB266D107/D153	C304104V	C304104L
SCB266D123	C304123V	C304123L
SCB266D169V	C304106V	C304106L

(1) Standard prefixes/suffixes are also applicable to kits.

## ORDERING EXAMPLES:

SC	B	266	D	001	V	230V / 50 Hz
SC	B	266	D	006	L	115V / 50 Hz
SC	B	266	C	203	V	24V / 50 Hz
SC	B	266	C	203	L	230V / 50 Hz

prefix | pipe thread | basic number | voltage | suffix

## ORDERING EXAMPLES KITS:

C304097 <sup>(1)</sup>	
C304097	V
C304102	L

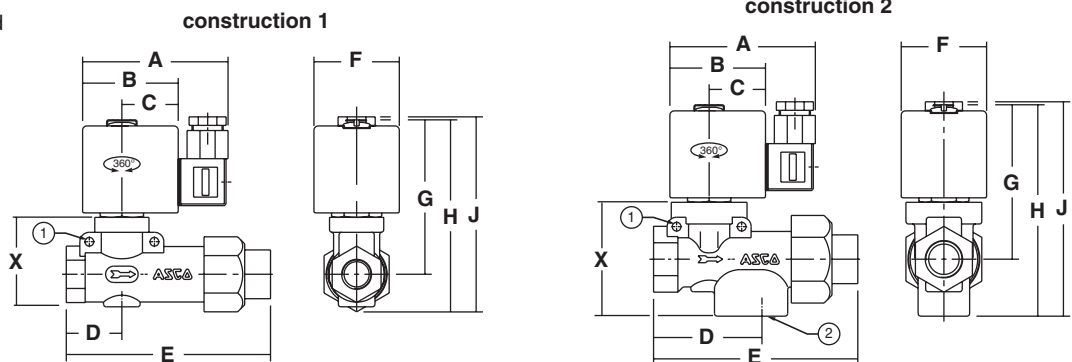
basic number | suffix

## DIMENSIONS (mm), WEIGHT (kg)



### TYPE 01

Prefix "SC" Solenoid  
Epoxy moulded  
IEC 335 / ISO 4400  
IP65



type	prefix option	construction	A	B	C	D	E	F	G	H	J	X	weight <sup>(2)</sup>
01	SC	1	86	56	33	33	119	50	90	110	111	53	1,4
		2	86	56	33	64	119	50	90	124	126	72	1,6

(2) including coil and connector.

① 2 mounting holes Ø 5,1 mm, pitch 38 mm.

② 1/2 NPT bypass connection for preheating service.

All leaflets are available on: [www.asco.com](http://www.asco.com)

2 - Combustible Gas & Oil