





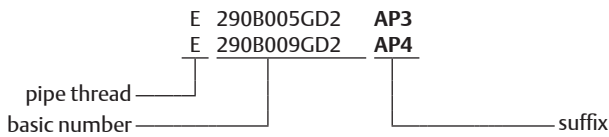
**Construction 07**

- Adapter plate for NAMUR pad-mount pilot**
- Adaptable on diameter Ø 63, 90 and 125 mm operators
  - Stainless steel AISI 316L
  - Solenoid pilot valves, series 551, 3/2 NC:
    - aluminium body, catalogue number SCG551A001
    - St. steel body, AISI316L, catalogue number SCG551A409

**TO ORDER:** (for compatibility: see page 43)

- Add suffix stainless steel AISI 316L **AP3** (dia. 63 mm operator)
- stainless steel AISI 316L **AP4** (dia. 90 and 125 mm operators)

**ORDERING EXAMPLES:**



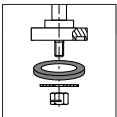
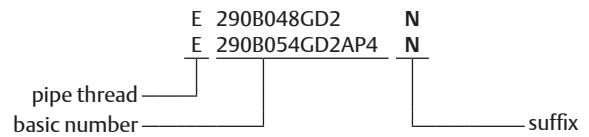
**Construction 08**

- Oxygen service**
- Special grease and cleaning
  - Pressure limited to 15 bar/temperature limited to +60°C

**TO ORDER:** (for compatibility: see page 43)

- Add suffix **N**

**ORDERING EXAMPLES:**



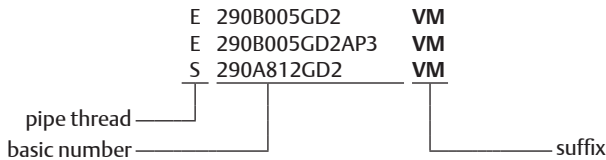
**Construction 09**

- Vacuum applications up to 1,33 10<sup>-3</sup> mbar**
- FPM disc for use with medium vacuum

**TO ORDER:** (for compatibility: see page 43)

- Add suffix **VM**

**ORDERING EXAMPLES:**



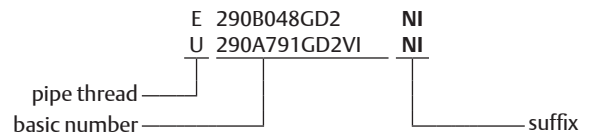
**Construction 10**

- NET-INOX treatment**
- Stainless steel valve body pickled in nitric hydrofluoric acid bath
  - Treatment recommended for aggressive environments
  - Standard on valves with CLAMP-type connections

**TO ORDER:** (for compatibility: see page 43)

- Add suffix **NI**

**ORDERING EXAMPLES:**



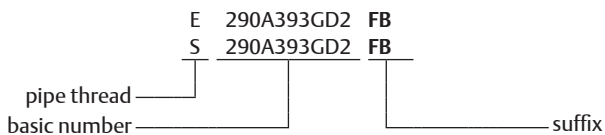
**Construction 11**

- Conformity with Regulation (EC) 1935-2004**
- The material of the wetted parts are listed in the chart of the Annex I of Regulation (EC) 1935/2004

**TO ORDER:** (for compatibility: see page 43)

- Add suffix **FB**

**ORDERING EXAMPLES:**



# ASCO™ Signaling Box

For Series 290 and 390 Valves

With Intrinsically Safe Inductive NAMUR Contacts - ATEX 2014/34/EU

Series  
**885**

- The signaling box fits all series 290 (2/2) and 390 (3/2) valves with 50 mm (NC) and 63 to 125 mm (NC/NO) operators to indicate whether the valve is open or closed
- The version with 2 intrinsically safe inductive NAMUR contacts is designed for use in potentially explosive atmospheres to ATEX-Directive 2014/34/EU
- Compliance with the Essential Health and Safety Requirements has been assured by compliance with the International and European Standards EN 60079-0, EN 60079-11 and EN 60076-26
- The signaling box is supplied pre-installed and pre-adjusted on the valve. It is rotatable through 360°
- The signaling box complies with the EMC Directive 2014/30/EU

## Operation

At both end-of-travel positions (open and closed) of the valve stem, cams on the signaling box plunger operate contacts which provide an electrical signal indicating that the end position is reached.

## General

**Ambient temperature range** -10°C to +60°C

## Construction

**Body, cover** PA  
**Degree of protection** IP66  
**Unit can be rotated through 360° around the centreline of the valve operator (set screw)**

## Electrical characteristics

### intrinsically safe inductive NAMUR contacts

The protection rating of the installed signaling box depends on the type of selected valve (see page 1).

Contact characteristics:

- Power supply: 8.2 V DC
- Switching frequency: 800 Hz

Protection rating of contacts:

- Ⓢ II 1 G Ex ia IIB T6 Ga
- Ⓢ II 2 G Ex ia IIB T6 Gb
- Ⓢ II 1 D Ex ia IIIC T90°C Da

- EC type examination certificate no.:  
**BVS 04 ATEX E153**  
**PTB 01 ATEX 2191**

- Recommended interfaces:  
*galvanic barrier*  
Pepperl & Fuchs type KFA6-SR2-EX1.W  
MTL instruments type MTL5011B  
*ZENER barrier*  
MTL instruments type MTL7742

safety parameters				
U <sub>i</sub>	I <sub>i</sub>	P <sub>i</sub>	L <sub>i</sub>	C <sub>i</sub>
15 V	50 mA	120 mW	110 μH	80 nF

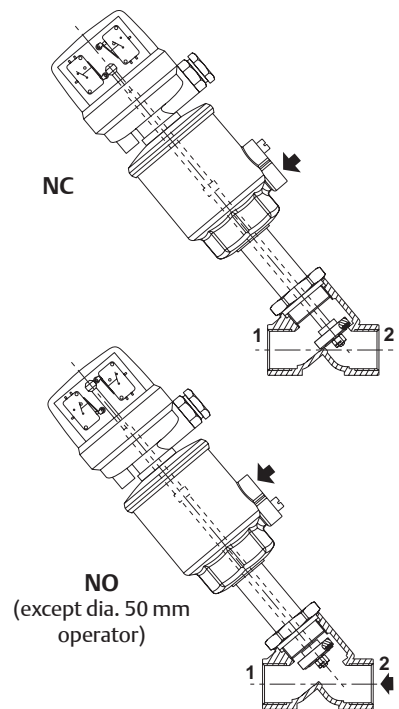
## Electrical connection

intrinsically safe inductive NAMUR contacts 2 terminal strips with 5 screw terminals  
**Max. grip** 2.5 mm<sup>2</sup>  
**Cable entry** 1 cable gland (cable Ø 5-10 mm)

## SPECIFICATIONS

operator	suffix <sup>(1)</sup> signaling box supplied installed on valve 2 intrinsically safe inductive contacts
dia. 50 mm (NC), dia. 63, 90, 125 mm (NC-NO)	<b>SH2</b>

- <sup>(1)</sup> Add the appropriate suffix after the catalogue number of the selected valve, example:  
 - catalogue number of valve alone **E290B010**  
 - catalogue number of valve + pre-installed intrinsically safe inductive contacts box = **E290B010GD2SH2**

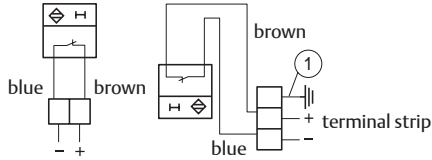


**Options**

- Other types of contacts: contact us

**Installation**

- The signaling box can be installed in any position
- Electrical connection:



① Electrical continuity terminal

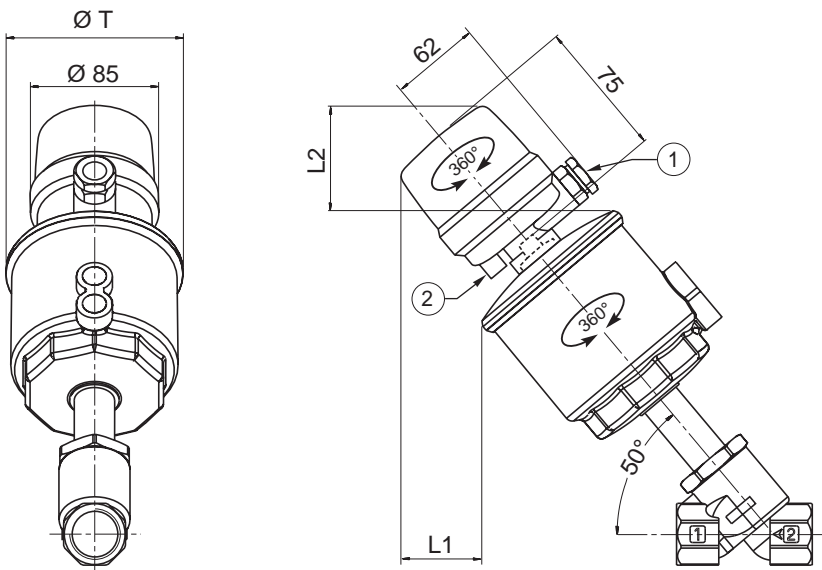
- Installation/maintenance instructions are included with each signaling box

**Dimensions (mm), Weight (kg)**

Weight of unit alone: 0.310

**Installation on Series 290 and 390**

with dia 50 (NC), 63, 90 or 125 mm operator



operator dia.	50 mm	63 mm	90 mm	125 mm
L1	53	46	35	32
L2	75	70	56	50
Ø T	65	85	118	156

- ① 1 cable gland (cable Ø 5-10 mm)
- ② Unit rotation lock set screw (orientable through 360°)