

SPECIFICATIONS

FLUID	: air or neutral gas, filtered, lubricated (G 3/8) or not (G 1/4)
PORTS	: G 1/4 - G 3/8
PRESSURE	: 0 to 10 bar
TEMPERATURE	: -25°C to +60°C
FLOW (Qv at 6 bar)	: see table below

CONSTRUCTION

series 551

Environmentally-protected construction
Body G 1/4, treated aluminium
Internal parts: zinc diecasting, steel, stainless steel, acetal (POM)
Sealings: nitrile (NBR) and polyurethane (PUR)

series 552

Body G 3/8, in light alloy
Internal parts: stainless steel, light alloy
Sealings: nitrile (NBR)



1	= Pressure
2,4	= Outlets
3,5	= Exhausts

CHOICE OF EQUIPMENT

[Configurator - CAD Files](#)

Symbols functions	Operators		Ø ports	Flow at 6 bar l/min (ANR)	CODES
	Pilot	Return			
LEVER OPERATED					
	Lever - Lever detented		G 1/4	860	55102092
	Lever 2 positions		G 3/8	1610	55200036
	Lever	Spring	G 1/4	860	55102093
			G 3/8	1610	55200037
PEDAL OPERATED					
	Pedal 2 positions		G 1/4	860	55102094
	Pedal	Spring	G 1/4	860	55102095
BUTTON OPERATED					
	Buton	Spring	G 1/4	860	55102085
	Button push-pull		G 1/4	860	55102086

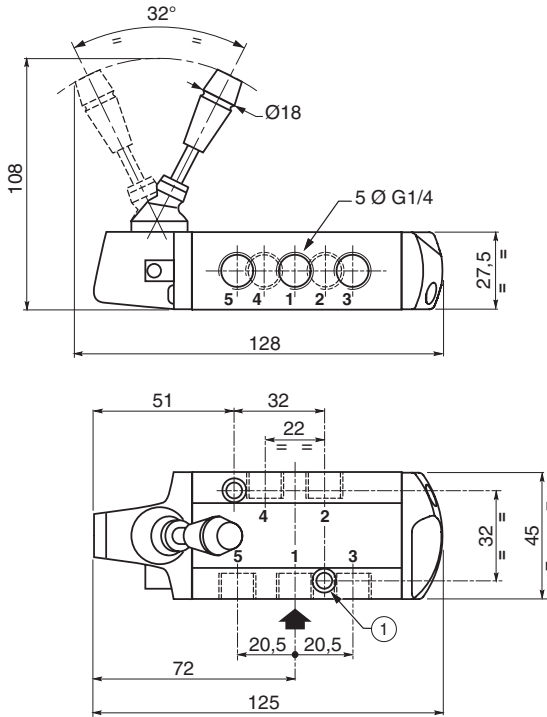
00404GB-2016/R01
Availability, design and specifications are subject to change without notice. All rights reserved.

DIMENSIONS AND WEIGHTS

[Configurator - CAD Files](#)

VALVE LEVER OPERATED

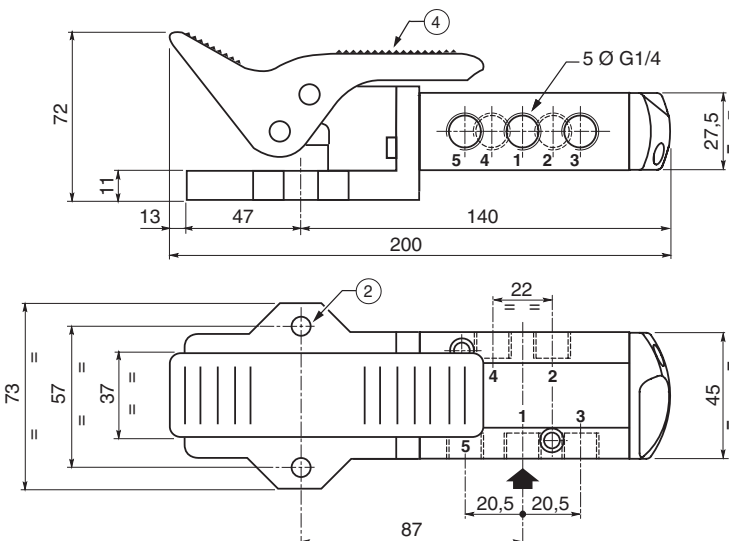
Series 551: ports G 1/4
Weight: 0,390 kg



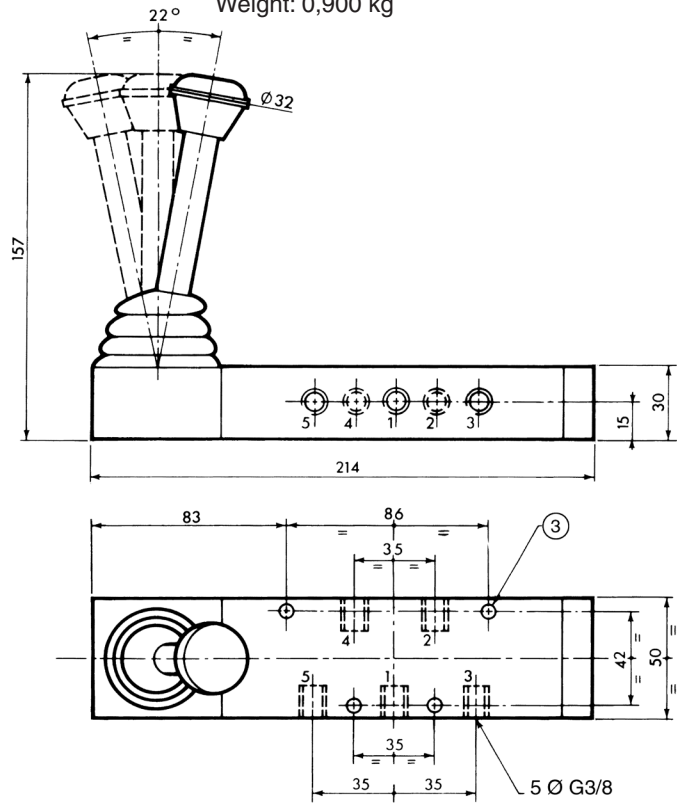
- ① 2 fixing holes: Ø 5,3 - counterbore : Ø 9, dept 5
- ② 2 fixing holes: Ø 8,5
- ③ 4 fixing holes: Ø 5,5
- ④ Return pedal 2 positions

VALVE PEDAL OPERATED

Series 551 : ports G 1/4
Weight: 0,545 kg



Series 552 : ports G 3/8
Weight: 0,900 kg



BUTTON, BUTTON PUSH-PULL

Series 551 : ports G 1/4
Weight: 0,265 Kg

