

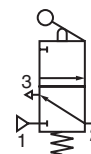
PILOT VALVE

mechanically operated

instant fittings

for Ø 4 mm OD tube or G 1/8

NC



3/2
Series
310

SPECIFICATIONS

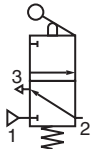
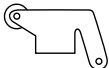
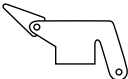

FLUID	: Air or neutral gas, filtered, lubricated or not
PORTS	: instant fittings for Ø 4 mm OD tube or G 1/8
PRESSURE	: 0 to 10 bar
TEMPERATURE	: -5°C to +60°C
FLOW (Qv at 6 bar)	: 280 l/min (ANR)
Ø NOMINAL	: 3,5 mm

CONSTRUCTION

Spool and poppet design closed centre
 Body zinc diecasting
 Internal parts POM (acetal)
 Sealing NBR (nitrile)



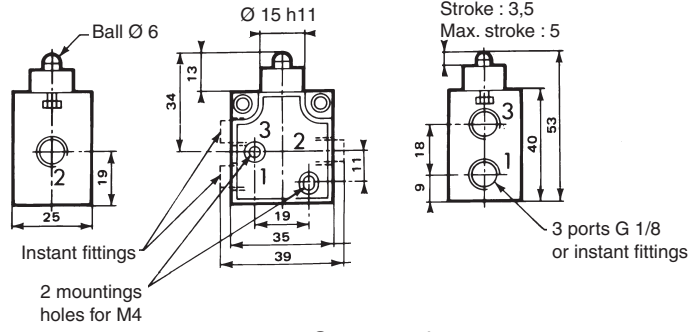
CHOICE OF EQUIPMENT

FUNCTION NC Normally closed		 1 = Pressure 2 = Outlet 3 = Exhaust		CODES	
Type	Description	Effort (daN)	Head ALONE	ASSEMBLY (valve + head)	
				Instant fittings	G 1/8
—	Valve alone BODY NC	5	—	31090002	31090001
	Lever roller acetal	2	88131001	31000011	31000004
	One way trip acetal	1,5	88131002	31000012	31000005
	Lever roller metal	2	88131005	31000013	31000006

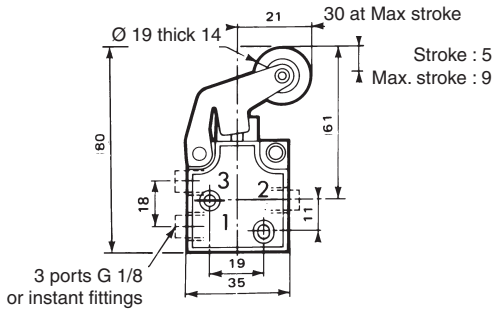
00409GB-2017/R01
Availability, design and specifications are subject to change without notice. All rights reserved.

DIMENSIONS AND WEIGHTS

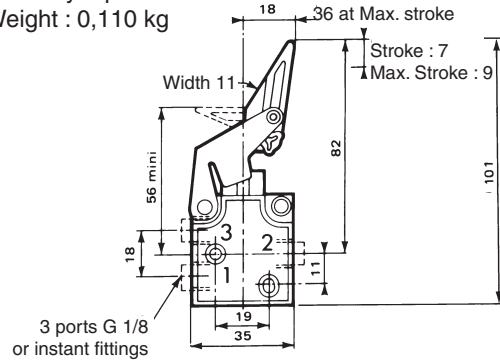
Valve alone
Weight : 1,100 kg



Lever roller
Weight : 0,110 kg



One way trip
Weight : 0,110 kg



Lever metal
Weight : 0,145 kg

