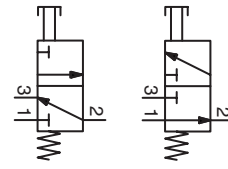


# MANUALLY OPERATED PILOT VALVE

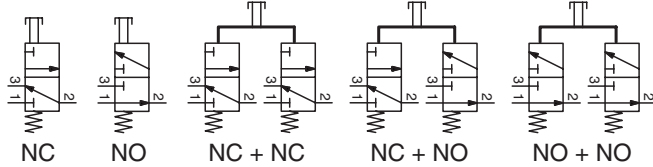
for panel mounting Ø 22  
instant fittings for Ø 4 mm O.D. tube or G 1/8



**3/2**  
Series  
**307**

## FEATURES

- Microvalve composed of an operating head, an adaptor, an intermediary subbase and one or two pneumatic modules.
- Modules allowing the following combination of functions:



- Adaption of metal or plastic buttons designed to meet the highest quality standards.
- Secure and robust fastening of the button on the microvalve.



## GENERAL

<b>Fluid</b>	Air filtered, lubricated or no
<b>Ports</b>	Instant fittings Ø 4 O.D. or G 1/8
<b>Operating pressure</b>	0 to 8 bar
<b>Ambient temperature</b>	-5°C to +60°C
<b>Operators</b>	Manual
<b>Flow (Qv at 6 bar)</b>	112 l/min (ANR)
<b>Nominal diameter</b>	2 mm

## CONSTRUCTION

<b>Popet valve construction</b>	Internal parts in stainless steel and elastomer
<b>Body diecast</b>	Exhaust port not tapped

## SPECIFICATIONS - METAL operating head and adaptor

		pilot valve		operating head	adaptor	intermediary subbase + pneumatic(s) module(s)				
	<b>designation</b>	<b>type</b>	<b>color</b>	<b>cat. number</b>	<b>cat. number</b>	<b>connect.</b>	<b>cat. number</b>	<b>cat. number</b>		
	flush push button	impulse	black	<b>88130757</b>	<b>88130754</b>	Ø 4 mm O.D.	NC	30701009	NC+NC	30701011
			green	<b>88130758</b>						
			red	<b>88130759</b>						
	mushroom* button Ø 40	push-turn	red	<b>88130770</b>						
			push-pull	red			<b>88130752</b>			
		impulse	red	<b>88130762</b>						
			black	<b>88130763</b>						
Ø 60	impulse	black	<b>88130772</b>							
	switch button	2 positions fixed	black	<b>88130771</b>						
	key operated button	key removal at 0 and 1	black	<b>88130761</b>						
	lever switch button	2 positions fixed		black	<b>88130760</b>					
		3 positions fixed		black	<b>88130767</b>					
		3 positions self centring		black	<b>88130766</b>					
						G 1/8	NC	<b>30701013</b>	NC+NC	<b>30701015</b>
							NO	<b>30701014</b>	NC+NO	<b>30701016</b>

\*These components are not security mechanism

## Order example :

1 pilot valve, instant fittings ports, with impulse black flush push button, NC :  
1x **88130757** + 1x **88130754** + 1x **30701009**

**SPECIFICATIONS - PLASTIC operating head and adaptor**

		pilot valve	operating head	adaptor	intermediary subbase + pneumatic module(s)								
			or		+		+		or				
designation	type	color	cat. number	cat. number	connect.	cat. number	cat. number						
	flush push button	impulse	black	<b>88130745</b>	<b>88130753</b>	<b>+</b>							
			green	<b>88130744</b>									
			red	<b>88130743</b>									
	mushroom* button Ø 40	push-turn	red	<b>88130740</b>									
		impulse	red	<b>88130741</b>									
		impulse	black	<b>88130742</b>									
	Ø 60	impulse	black	<b>88130748</b>			Ø 4 mm O.D.	NC	<b>30701009</b>	NC+NC	<b>30701011</b>		
		2 positions fixed	black	<b>88130739</b>				NO	<b>30701010</b>	NC+NO	<b>30701012</b>		
	key operated button	key removal at 0 and 1	black	<b>88130738</b>				G1/8	NC	<b>30701013</b>	NC+NC	<b>30701015</b>	
		2 positions fixed	0 1	black					<b>88130737</b>	NO	<b>30701014</b>	NC+NO	<b>30701016</b>
	lever switch button	3 positions fixed	1 0 2	black				<b>88130736</b>					
		3 positions self centring	1 0 2	black				<b>88130735</b>					

\*These components are not security mechanism

**Order example:**

1 pilot valve, connection G 1/8, with impulse red flush push button, NC+NC :  
 1x **88130743** + 1x **88130753** + 1x **30701015**

**OPERATION OF 3 POSITION SWITCHES**

type	operation on module		left	right
	left	right		
3 positions fixed		0	not operated	not operated
		2	not operated	operated
		1	operated	not operated
3 positions self centring		0	not operated	not operated
		2	not operated	operated
		1	operated	not operated

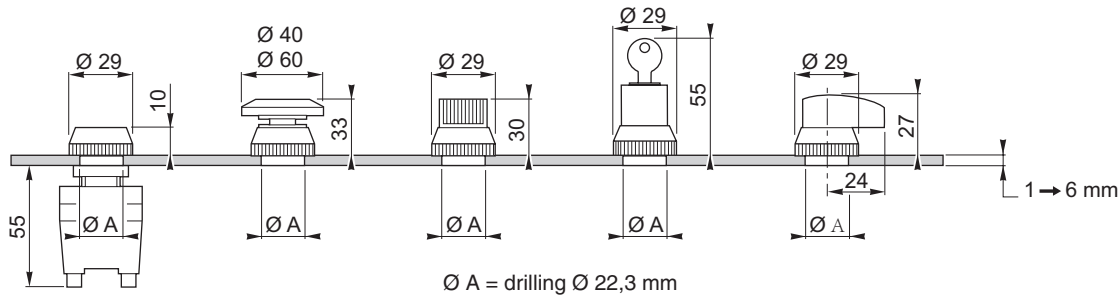
**SEPARATED PNEUMATIC MODULES**

connection	function	cat. number
instant fittings Ø 4 mm O.D.	NC	<b>30701001</b>
	NO	<b>30701002</b>
tapped G 1/8	NC	<b>30701005</b>
	NO	<b>30701006</b>

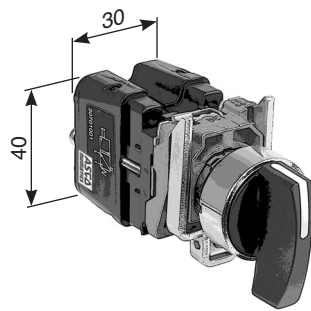
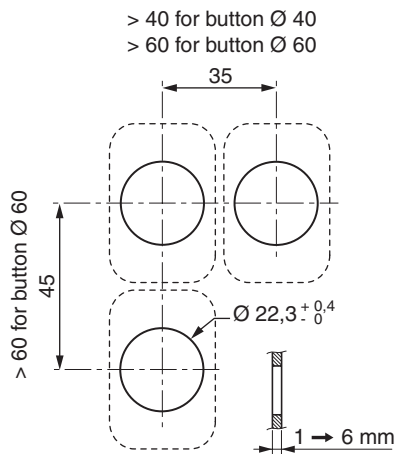
**INTERMEDIARY SUBBASE**

	cat. number
	<b>88130775</b>

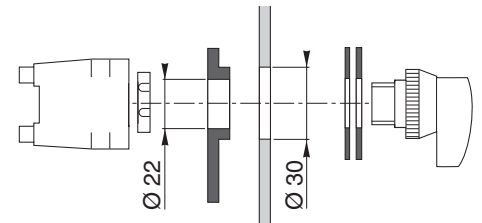
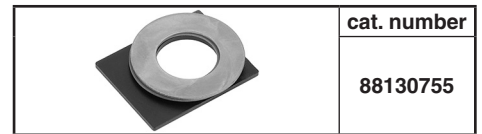
**DIMENSIONS**



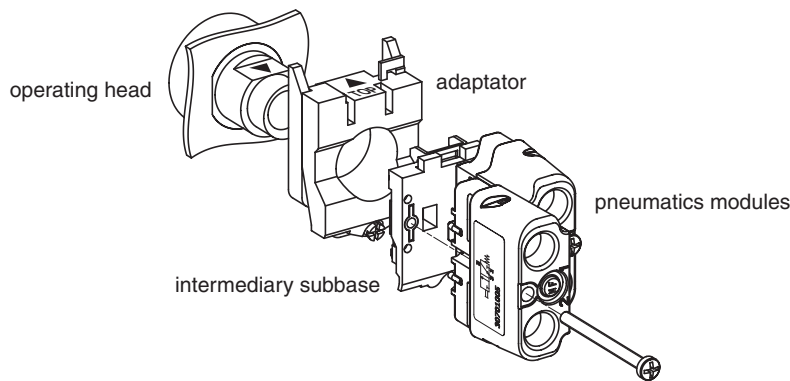
**PANEL DRILLING**



**REDUCING ADAPTER**  
Ø 30 → Ø 22 mm

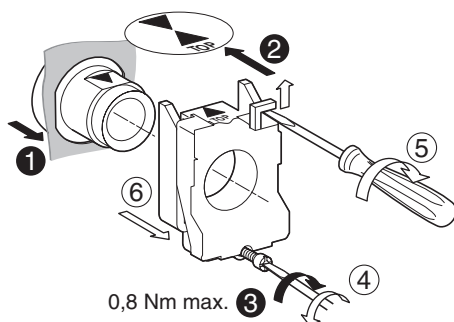


**MOUNTING**



**metal operating head**

- ➔ 1 2 3 ← mounting  
← 4 5 6 ➔ dismantling



**plastic operating head**

- ➔ 1 2 3 ← mounting  
← 4 5 ➔ dismantling

