

SPECIFICATIONS

FLUID	: Air or neutral gas, filtered, lubricated
PRESSURE	: 0 to 10 bar
TEMPERATURE	: -10°C to +60°C
FUNCTIONS	: 3/2 - 5/2
PORTS	: G 1/8
FLOW (Qv at 6 bar)	: 200 l/min (ANR)

CONSTRUCTION

Body anodized light alloy
 Covers light alloy and acetal (POM)
 Internal parts light alloy
 Sealing NBR (nitrile)
 Lever and tappet steel
 The 3/2 spool valve can be used as a 3/2 NC or 3/2 NO version, by connecting as indicated opposite



Ports of 3/2	
NC	NO
1 = Pressure	Exhaust
2 = Outlet	Outlet
3 = Exhaust	Pressure
Ports of 5/2	
1 = Pressure	
2,4 = Outlets	
3,5 = Exhausts	

CHOICE OF EQUIPMENT

	Symbols Functions	Operators		Operating effort (daN)	CODES
		Pilot	Return		
3/2		Roller-lever	Spring	2	55000046
		Tappet	Spring	3	55000047
5/2		Roller-lever	Spring	2	55000012
		Tappet	Spring	3	55000052

OPTION

Mini spool valve with one way trip (contact us).

00410GB-2017/R01
Availability, design and specifications are subject to change without notice. All rights reserved.

DIMENSIONS AND WEIGHTS

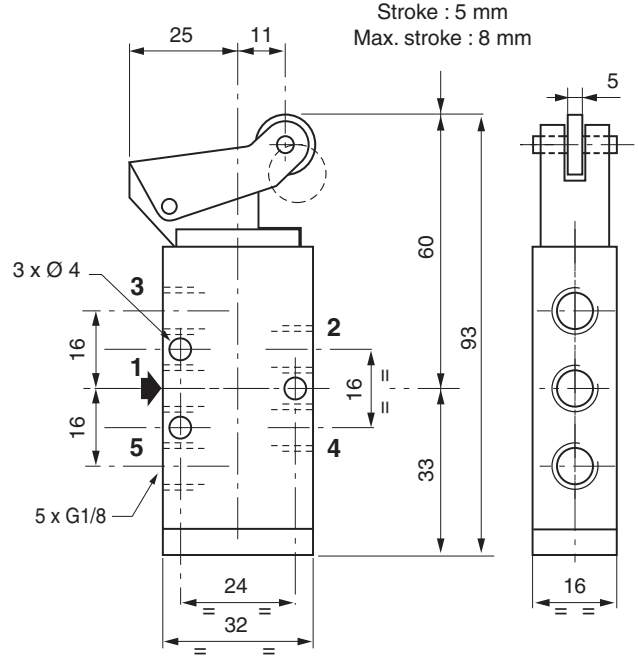
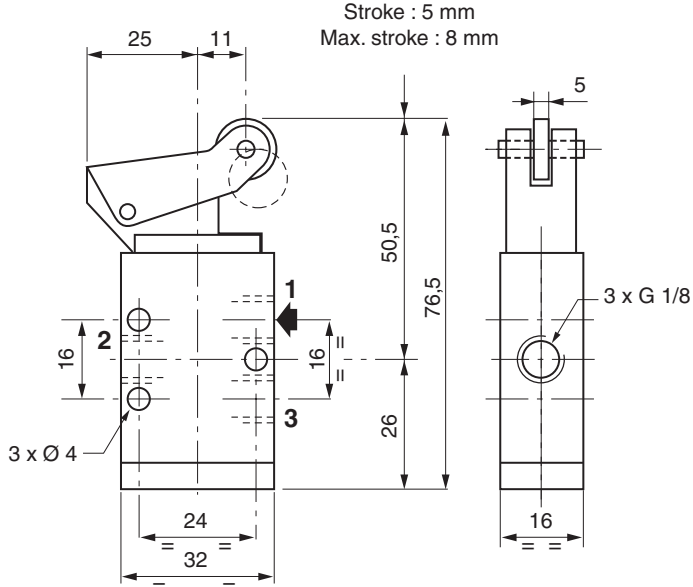
3/2

5/2

ROLLER-LEVER

Weight : 77 g

Weight : 86 g



TAPPET

Weight : 60 g

Weight : 76 g

