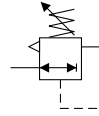


PRESSURE REGULATOR

- Board-mounting available (drilling 12,2 mm dia.)
- Control range 0,5 to 8 bar
- Body with two optional ØM5 side-outlets



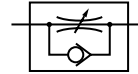
PRESSURE GAUGE

Back coupling R1/8



FLOWRATE REDUCING-VALVE

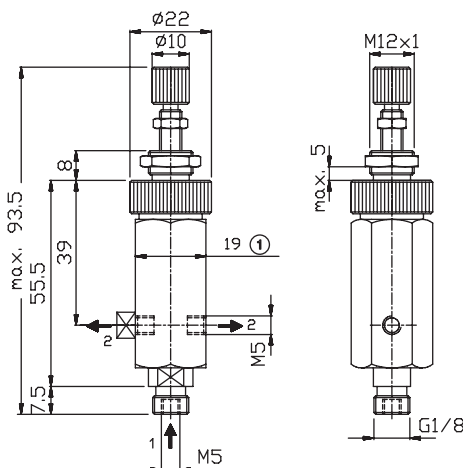
- In line, fitted ØM3
- Flowrate reducing-valve orientable, directly adjustable on cylinder, ØM3



Description	Connection	Control range (bar)	Flow (l/min - ANR)	Allowable temperature	Materials	CODES
Pressure regulator	Input: female M5 or male G 1/8 Output: female 2 x M5	0,5 - 8 ($p_{max}=16$)	120 (with $p_1=8$ bar $p_2=6$ bar)	0°C, + 60°C	Body: Al + Brass Internals parts: Brass + Steel Seal: NBR (nitrile)	34201802
Pressure gauge Ø 40	R 1/8	0 - 10	—	-20°C, + 80°C	Body Black polyester	34300014
Reducing-valve for pressure gauge	G 1/8-M5	—	—	—	Nickeled brass	34600372
Flowrate reducing- valve	<i>in line</i> M3	0 - 8	30	+ 5°C, + 50°C	Body: Nickeled brass Rod: Nickeled brass	34600320

PRESSURE REGULATOR

Ø M5-G1/8

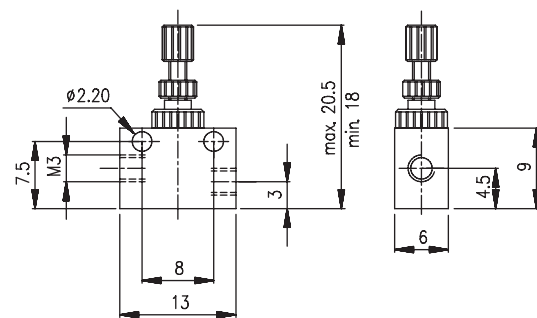


- Delivered with 1 screw-plug, M5 dia.
- Weight: 90 g
- ①: Dimensions on flats

FLOWRATE REDUCING-VALVE Ø M3

IN LINE

Weight: 10 g



PRESSURE GAUGE

Weight: 0,065 kg

